

IMPORTANT



Be Sure
to Read this
Manual
Before Use



UNIS TECHNOLOGY

Operation Manual

WE ARE HERE TO ASSIST For parts and service




Have Questions? Contact us!

UNIS SERVICE CENTER
Tel: 972-241-4263
Email: service@unispartsandservice.com
www.unispartsandservice.com

When contacting Service, you will need the following information and the name of your authorized distributor.

Suitable for Indoor Use Only	
NAME: Elevator Action Invasion D&B	MAX POWER: 650W
MODEL: C-648	MIN POWER: 400W
VOLTAGE: AC 110V ~	FREQUENCY: 50/60Hz
S/N:	DATE:
Guangdong UNIS Technology Co.,Ltd.	



CONTENT

IMPORTANT SAFETY INSTRUCTIONS.....	3
1. SPECIFICATIONS.....	5
2. CONTENTS OF THE ACCESSORY KIT.....	6
3. PART NAME.....	8
4. SET UP & INSTALLATION.....	9
5. HOW TO PLAY.....	32
6. GAME OPTION.....	33
7. TROUBLESHOOTING.....	40
8. MAINTENANCE & INSPECTION.....	43
9. OVERALL CONSTRUCTION.....	52
10. WIRING DIAGRAM.....	86
Appendix 1: Gun Installation & Replacement.....	89

Thank you for purchasing **Elevator Action Invasion D&B**. We hope you enjoy the product.

This manual contains valuable information about how to operate and maintain your game machine properly and safely. It is intended for the owner and/or personnel in charge of product operation. Carefully read and understand the instructions.

If you need any help during installation and setup please utilize this manual and troubleshooting guide. If the product fails to function properly, *non-technical personnel should under no circumstance attempt to service the machine*. Contact your distributor or manufacturer for help.

Before use, please read **IMPORTANT SAFETY INSTRUCTIONS**.

IMPORTANT SAFETY INSTRUCTIONS

To ensure the safe usage of this product, carefully read and understand these instructions before operating your game.

Save these instructions for future reference.

Use this product only as described in this manual. Other uses not recommended may cause fire, electric shock or personal injury. Unplug the game from the outlet when not in use, when moving from one location to another, and before cleaning/servicing.

Explanations which require special attention are indicated by signs of warning. Depending on the potential hazardous degree, the terms: **NOTE**, **NOTICE**, and **WARNING** are used.

NOTE: A NOTE indicates useful hints or information about product usage.

NOTICE: A NOTICE indicates potential damage to product and how to avoid the problem.

WARNING: A WARNING indicates a potential for product damage or serious personal injury.

It is important to understand the meaning of the following HAZARD SIGNS before continuing:

High Voltage and Shock Hazard:

High voltage can cause electric shock.
Turn off/unplug power before servicing.



High Temperature Hazard:

This part may cause scalding.
Do not touch. Surface may be hot.



No Touching Hazard:

This part may be hot or can cause electric shock.
Do not touch.



Use the following safety guidelines to help ensure your own personal safety and to help protect your equipment and surrounding environment from potential damage.

⚠️ This product is an indoor game machine. Do not install outdoors.

Avoid installing in the following places to prevent fire, electric shock, injury and/or machine malfunctioning:

- Places subject to rain/moisture, or places subject to high humidity.
- Places subject to direct sunlight, or places subject to extremely hot or cold temperatures to ensure that it is used within the specified operating range.
- Places where inflammable gas may be present or in the vicinity of highly inflammable/volatile chemicals or items that can easily catch fire.
- On unstable or sloped surfaces. The machine may topple or cause unforeseen accidents.
- Vicinity of fire exits, fire extinguishers etc that may block/prevent safety measures.

IMPORTANT NOTE:

ALL REPAIRS MUST BE DONE TO ORIGINAL MANUFACTURER SPECIFICATIONS. FAILURE TO DO SO VOID ALL WARRANTIES AND OPERATOR ASSUMES ALL RISKS.

Note: The contents of this manual may be updated without notice.

1. SPECIFICATIONS

Rated power supply: AC110V 50/60Hz;

Min. Power consumption: 400W

Max. Power consumption: 600W

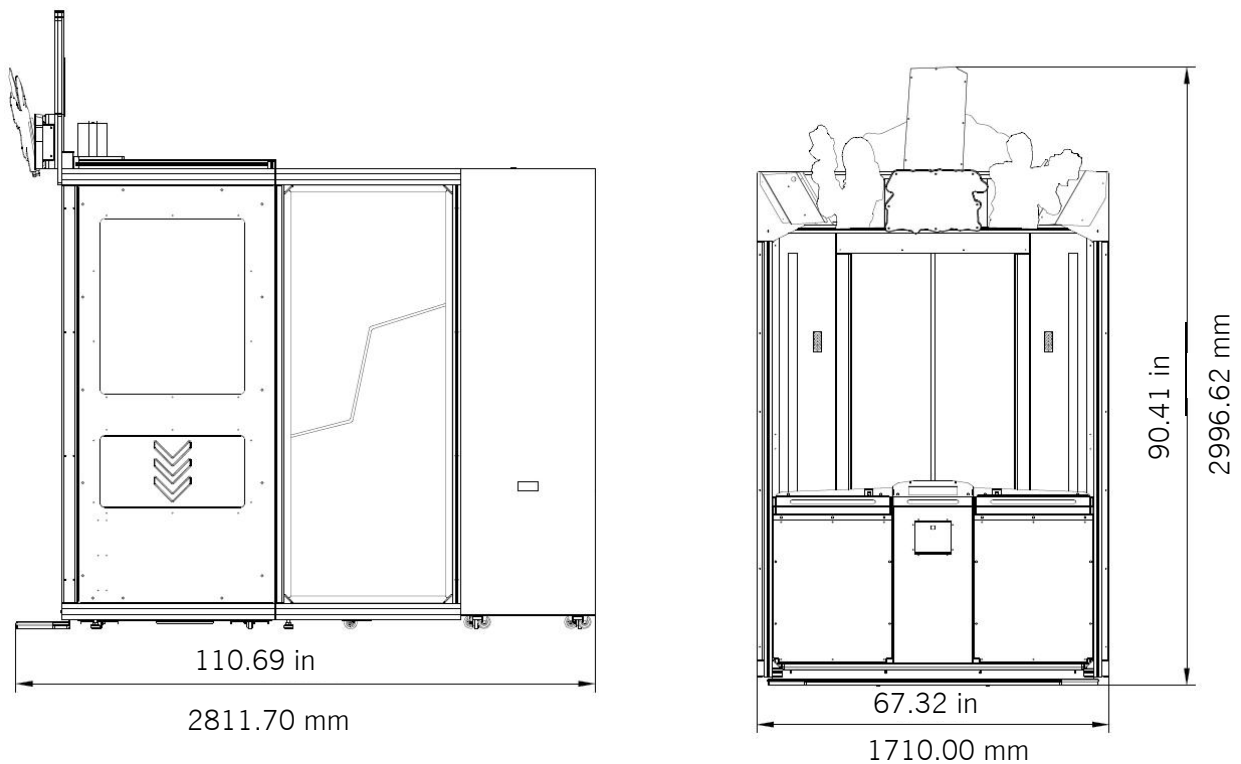
Dimension: W67.32×D110.69×H90.41 in

W1710.00×D2811.70×H2996.62 mm

Weight: Approximately 1543.23 lb/ 700kg

Model No: C-648

! **NOTICE:** After turning off the game, please wait at least 1 minute before restarting again.











ote: Game specifications are subject to change without notice.


2. CONTENTS OF THE ACCESSORY KIT

Open the package and make sure all the items are included:

1. Following accessories

No.	Part No.	Code	Name/Spec.	Picture	Qty
1	E112-1302-00	4.14.40000409	Manual D&B version		1
2	E112-1303-00	2.33.01.018024	Power cord 3×18AWG 3M		1
3	E112-1304-00	2.19.01.000033A	Fuse(T10A) φ6×30mm T10A 250VAC		1
4	E112-0213-00	2.19.01.000012	Fuse(T5A) φ5×20mm T5A/250VAC		6
5	E112-1305-00	2.53.00171002	171A key		2
6	E112-1306-00	2.53.00172002	171B key		2
7	E112-1307-00	201.04.100006	Cross recessed hexagon bolt set M8×30		10
8	E112-1152-00	201.01.900066	Cross recessed hexagon bolt set M6×30		10
9	E112-0709-00	2.51.00.020043	Nut M6		10
10	E112-0753-00	201.01.900018	Hexagon socket flat round head screws M6×12		60
11	E112-0711-00	201.13.010001	Standard washer 6×1.6h		80
12	E112-0712-00	201.13.010053	C washer 6×1.6h		80
13	E112-1308-00	201.01.018005	Hexagon socket flat round head screws M6×25		20
14	E112-1080-00	201.01.900089	Hexagon flat lock screw M6×10		40

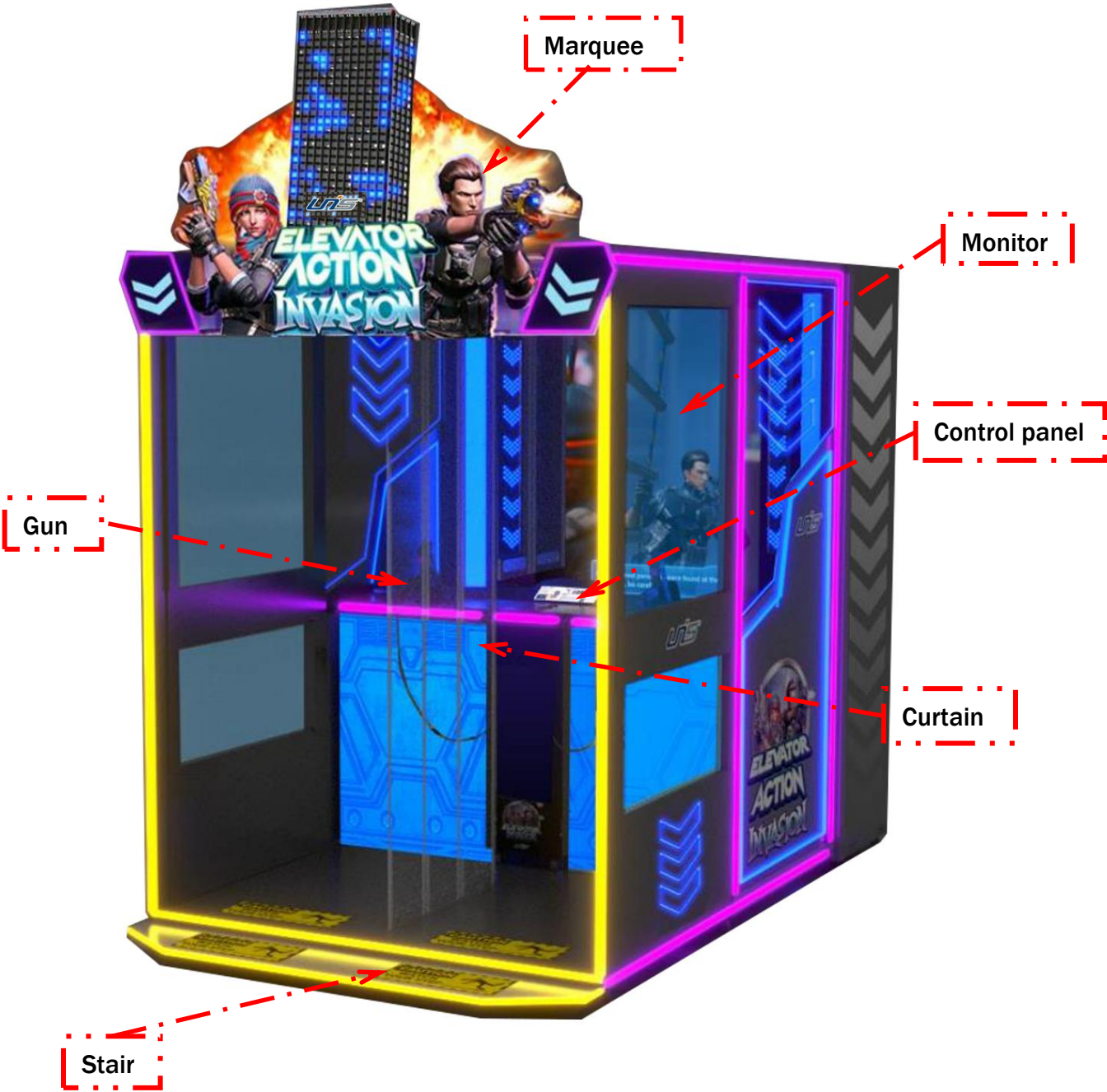
2. Accessory KIT

No.	Code	Name/Spec.	Picture	Qty
1	298.01.000382	Cable		2
	2.33.04.080010			
	298.01.000385			

NOTE: Part models are subject to change without notice.

3. PART NAME

Key Components



4. SET UP & INSTALLATION

⚠ NOTICE

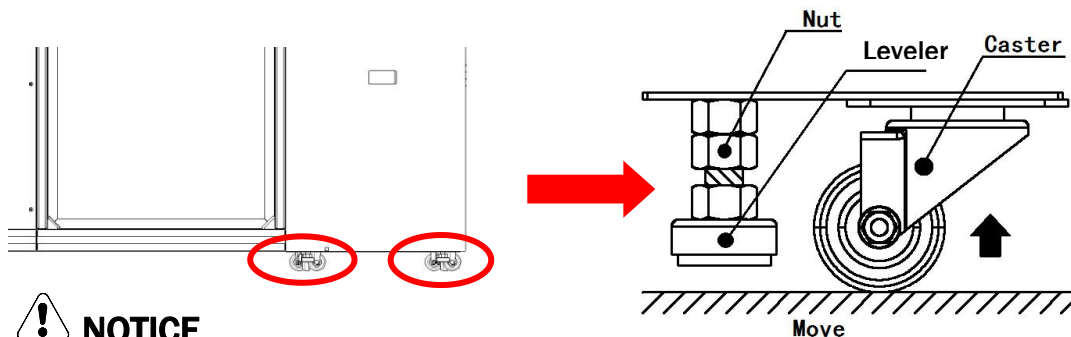
We do not recommend using power tools as they may cause damage.

⚠ **This product is an indoor game machine. Do not install outdoors.**

- Refer to IMPORTANT SAFETY INSTRUCTIONS (Pg. 3) for places to avoid.
- Place the unit on a dry level surface.
- Ventilation openings in the back of the unit must not be obstructed by objects or by wall.

4.1 Transporting the Game

If you need to move the game, adjust the levelers back to an “up” position.



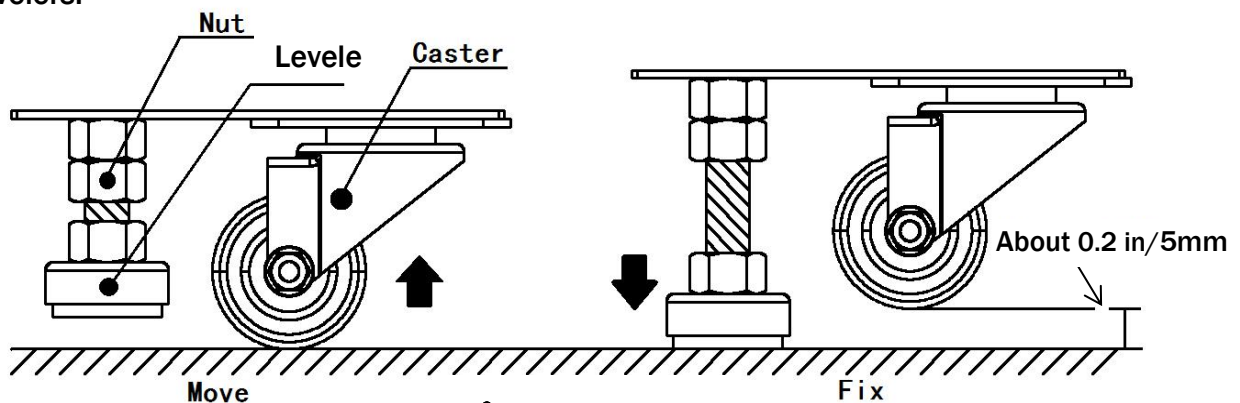
⚠ NOTICE

- Be careful not to damage the machine during transport.
- Always unplug the game before moving.
- Keep the machine in upright position during transport.
- For longer distance transport, package the game properly to prevent damages.

4.2 Level Adjustment

Install this game on a flat surface. If the game is installed on an unsuitable floor, it could cause game malfunction.

To secure the game, loosen the nut, utilize wrench to adjust the leveler down until it touches the floor, lifting the casters off the ground by 0.2 in/5mm. Repeat the same for all levelers.



⚠ NOTICE

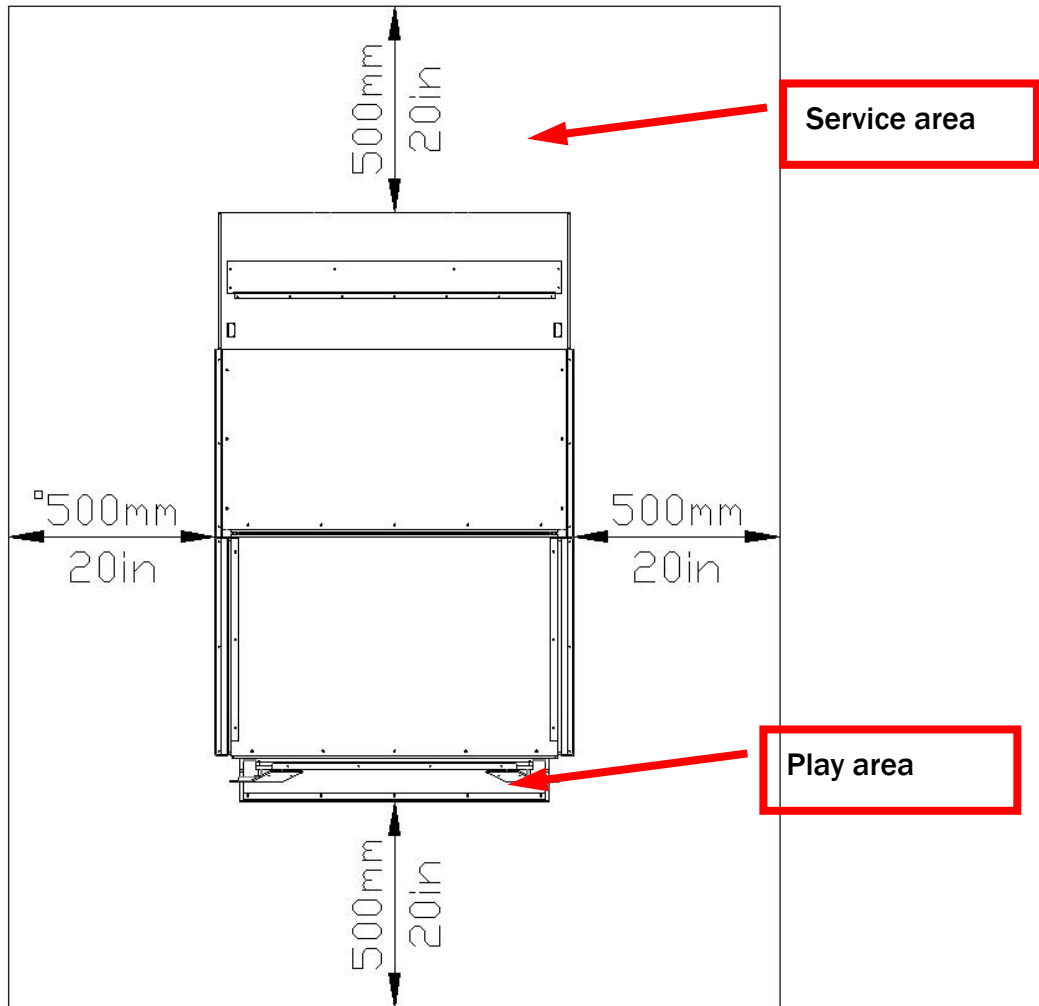
Make sure the machine is level.

4.3 Play Zone

This machine requires space for playing and for maintenance as shown below.

Leave space around the game upon installation:

Service area: 20 in






NOTICE

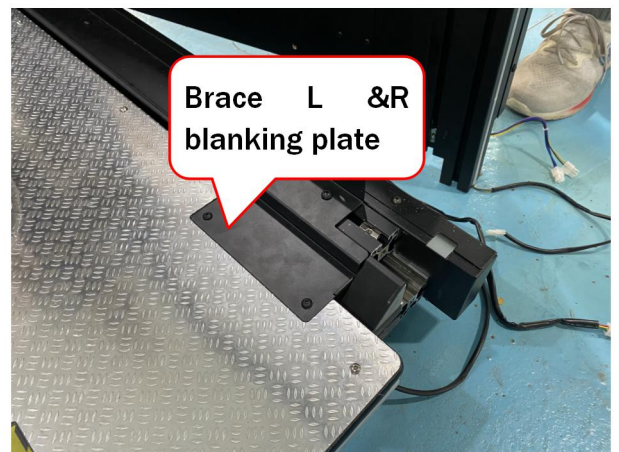
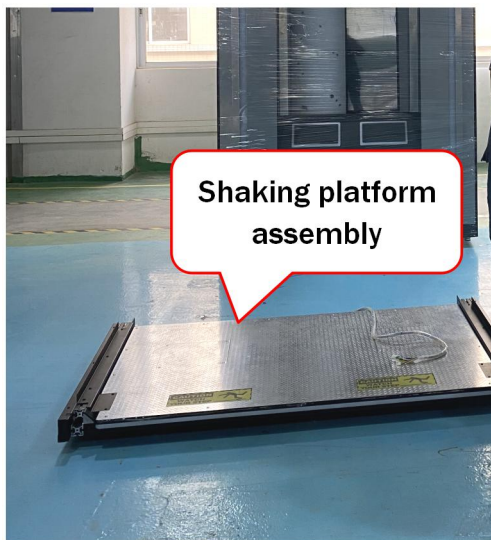
Your unit must be leveled to operate properly.

4.4 Machine Installation

Before processing with assembly assure you have the following tools.

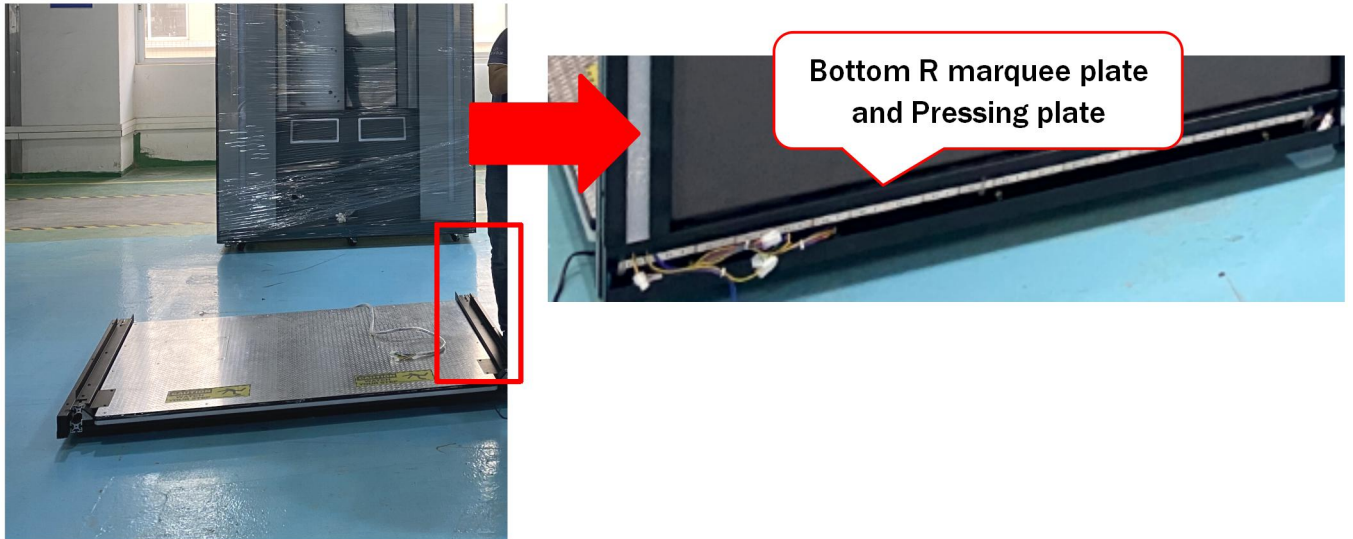
No.	Name	Picture
1	Phillips screwdriver	
2	Wrench	
3	Allen wrench	

Step 1 Locate Shaking platform assembly. Utilize Allen wrench to loosen screws to Brace L &R blanking plate. Loosen the screws to remove the Pedal assembly.



Step 2 Utilize Allen wrench to loosen screws to Bottom R marquee plate and Pressing plate.

Note: It is the same method on the other side.



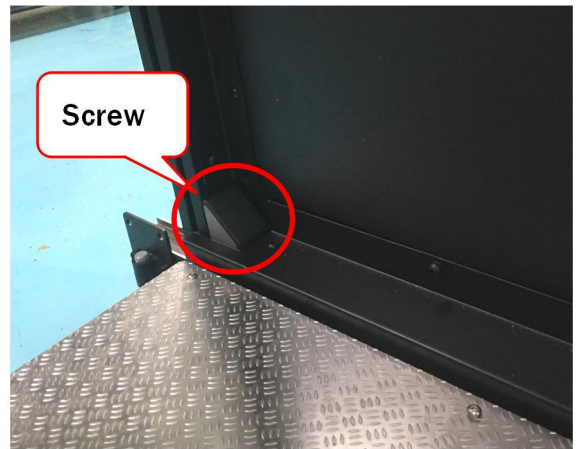
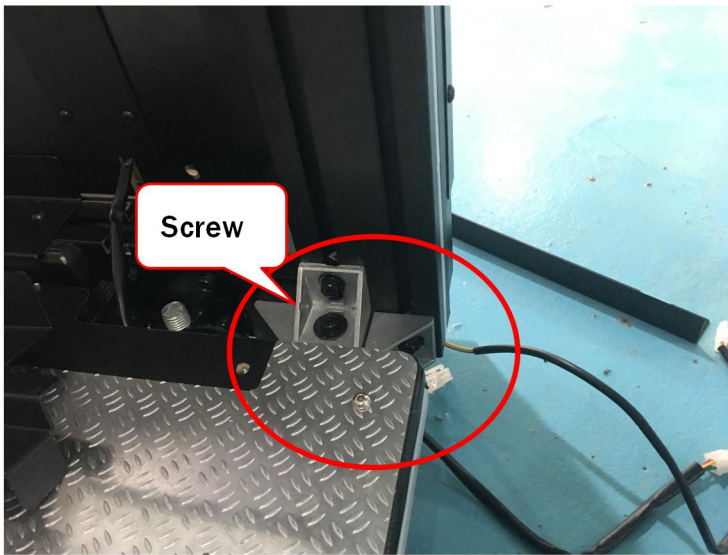
Step 3 Place Front cabinet R door. Please match the holes of the Shaking platform assembly. Insert connector to the Side bottom plate.

Note: It is the same method on the other side.



Step 4 Utilize Phillips screwdriver to secure the screws to fix the Front cabinet R door on the Shaking Assembly.

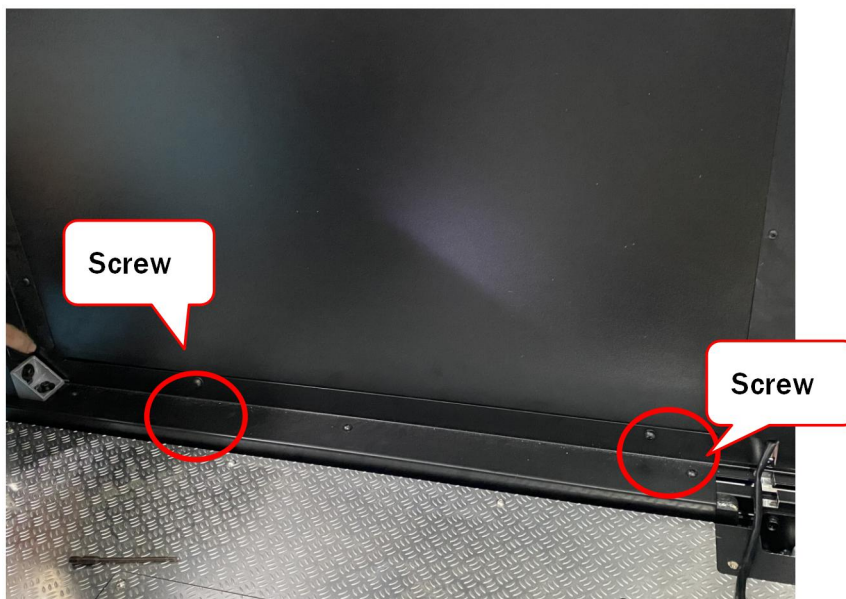
Note: It is the same method on the other side.



Name	Cross recessed hexagon screw set
Spec.	M6×20
Qty	4

Step 5 Utilize Allen wrench to secure screws to install Pedal R fixing plate.

Note: It is the same method on the other side.



Name	Standard washer
Spec.	6×1.6h
Qty	2

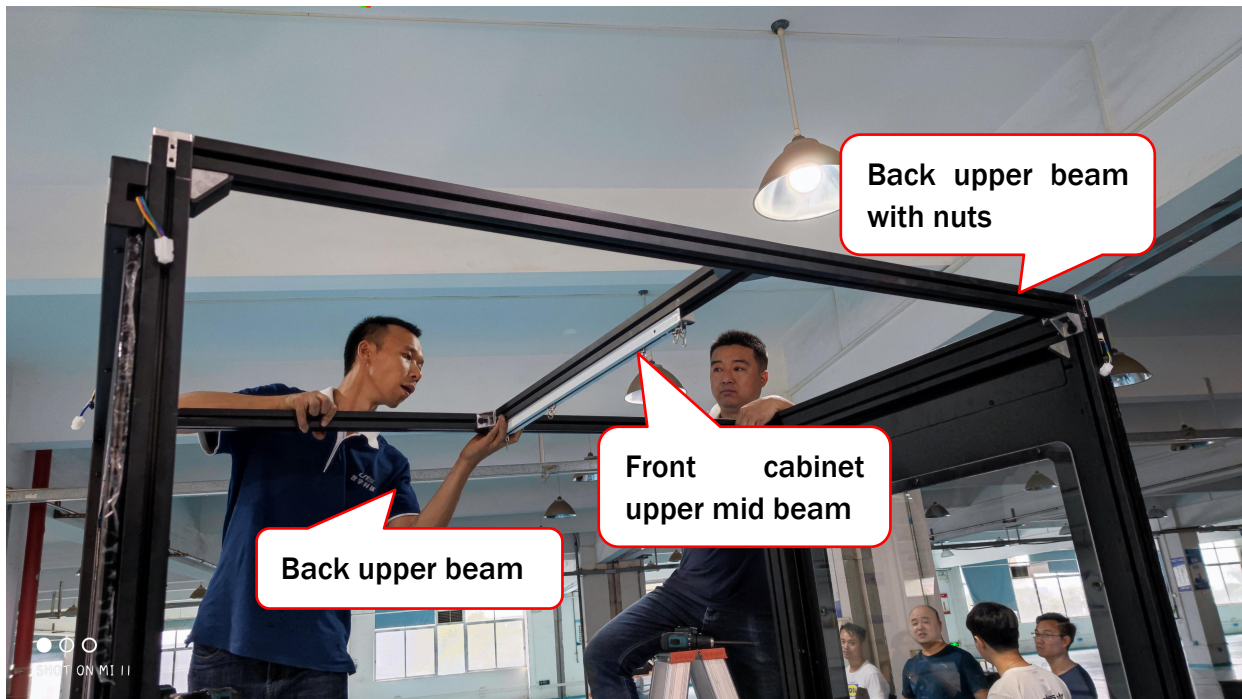
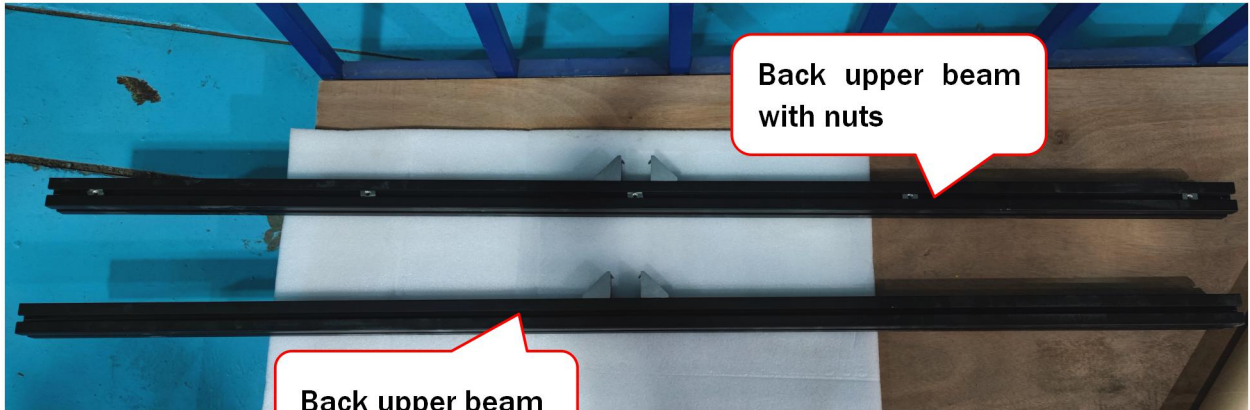


Name	C washer
Spec.	6×1.6h
Qty	2

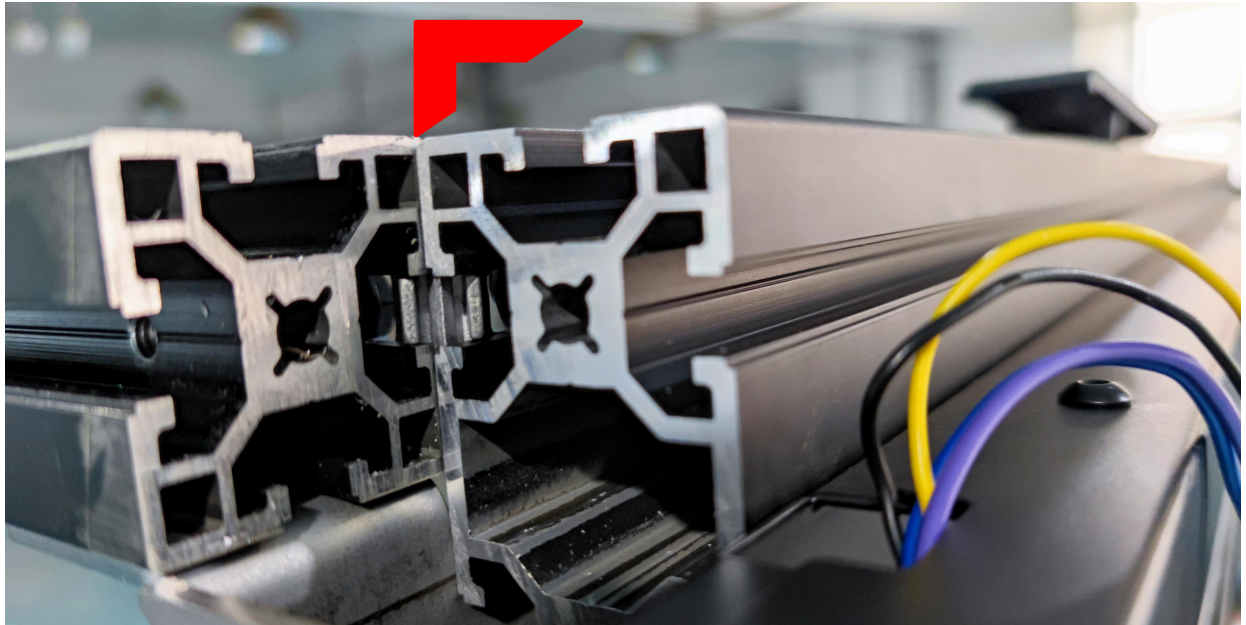


Name	Hexagon socket flat round head screws
Spec.	M6×20
Qty	2

Step 6 Install 2 Back upper beams and Front cabinet upper mid beam.



Step 7 Back upper beam need to install straightly with the Front cabinet door as shown below.



Step 8 Utilize Allen wrench to secure screws to fix the all the Beams.



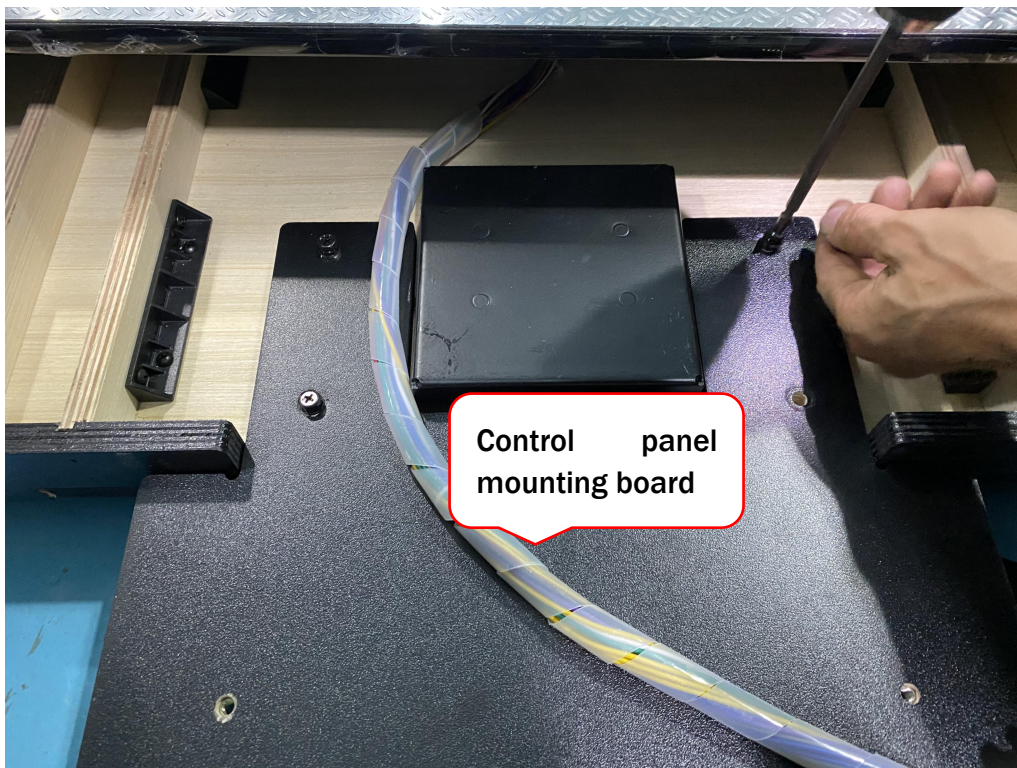
Name	Hexagon flat lock screw
Spec.	M6
Qty	8

Step 9 Utilize Phillips screwdriver to secure screws to fix the Angle plate to the Beams.



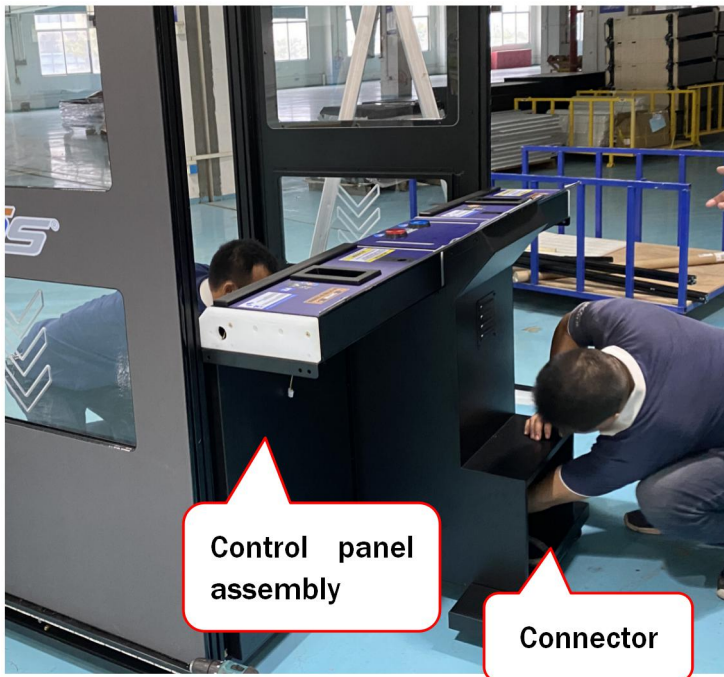
Name	Cross recessed hexagon screw set
Spec.	M6×20
Qty	8

Step 10 Install Control panel mounting board to the Shaking assembly. Utilize Phillips screwdriver to secure screws to fix the Control panel mounting board.



Name	Cross recessed hexagon screw set
Spec.	M6×16
Qty	4

Step 11 Place Control panel assembly to the mounting board. Take connectors out. Utilize Phillips screwdriver to screws to fix the Control panel assembly.

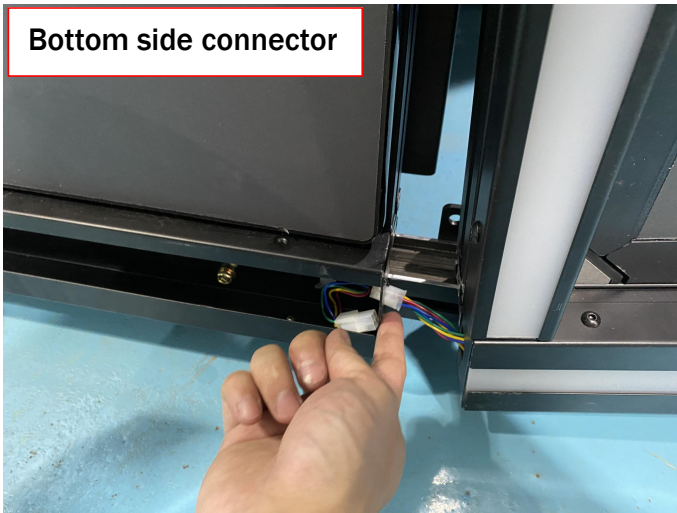


Name	Cross recessed hexagon screw set
Spec.	M6×16
Qty	4

Step 12 Place Mid cabinet R door between Back Cabinet assembly and Front cabinet. Connect upper & bottom connector. Utilize Allen wrench to secure 4 screws to tighten Front cabinet and Mid cabinet R door.

Note: It is the same method on the other side.





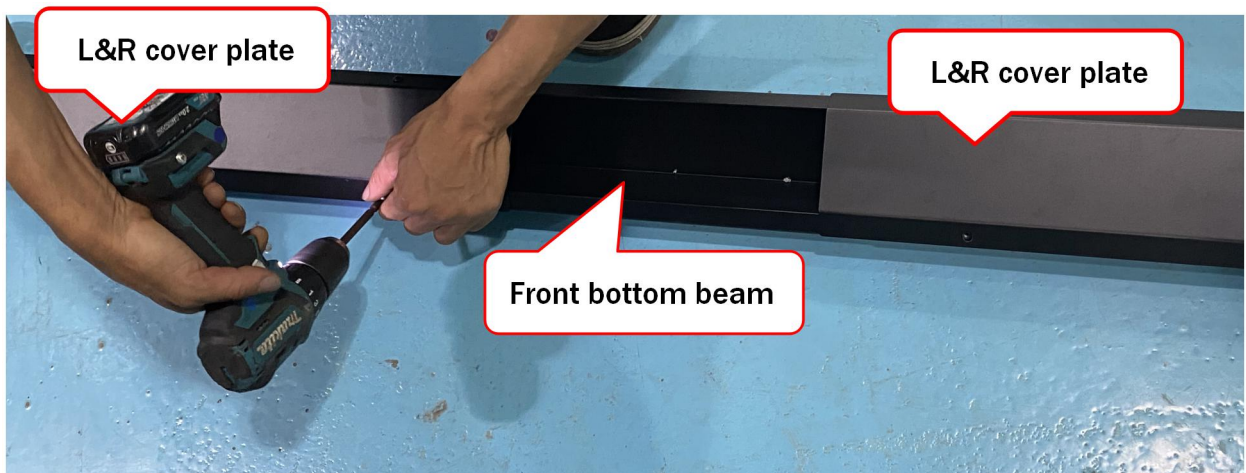
Step 13 Utilize Phillips screwdriver to secure screws to tighten Mid cabinet R door.

Note: It is the same method on the other side.

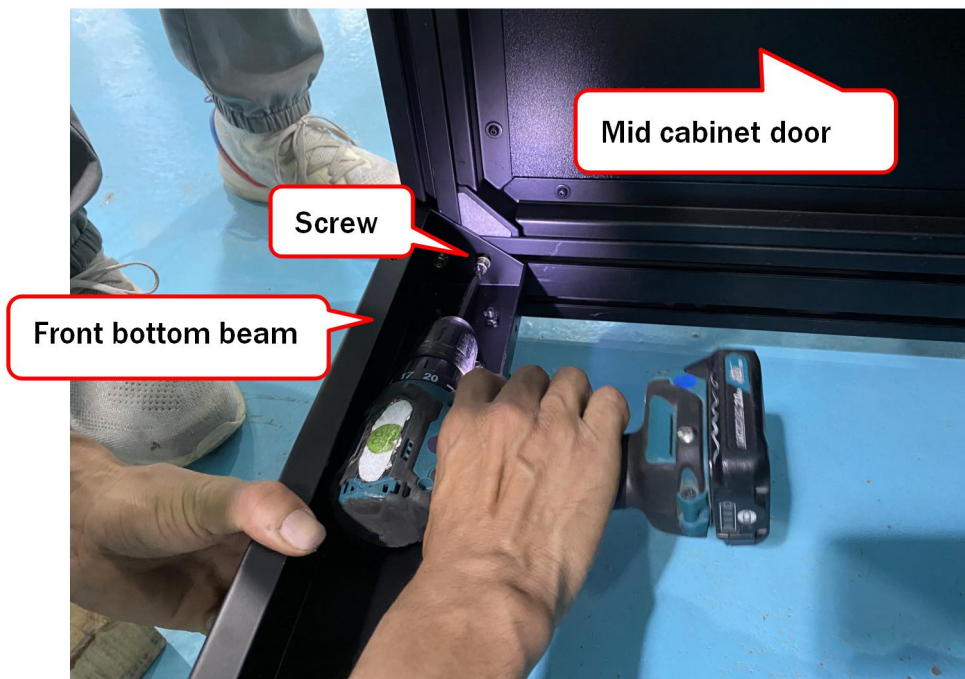


Name	Cross recessed hexagon screw set
Spec.	M6×16
Qty	2

Step 14 Locate Front bottom beam. Utilize Phillips screwdriver to remove L&R cover plate.



Step 15 Install Front bottom beam to the Mid cabinet door. Utilize Phillips screwdriver to secure screws to fix Front bottom beam to the Mid cabinet door.

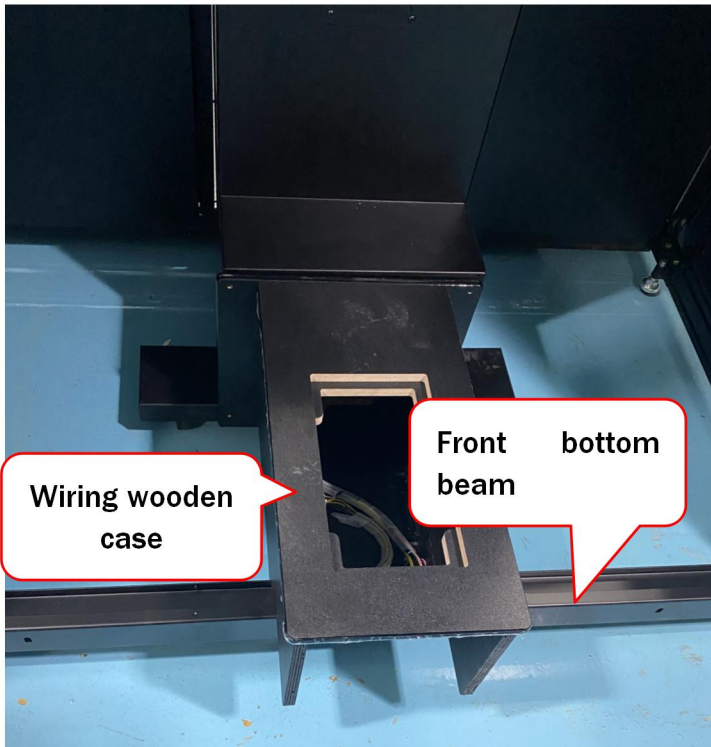


Name	Cross recessed hexagon screw set
Spec.	M6×16
Qty	4

Step 16 Locate Control Panel assembly. Remove L bottom marquee.

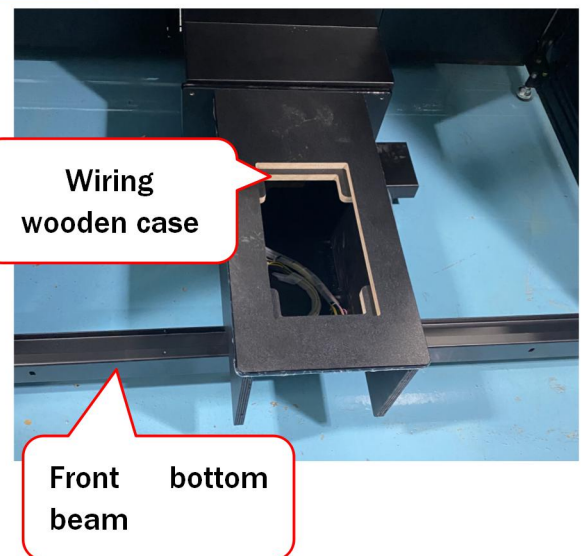


Step 17 Place Wiring wooden case to the Front bottom beam. Lead all the cables out. Utilize Phillips screwdriver to secure screws fix the Wiring wooden case.

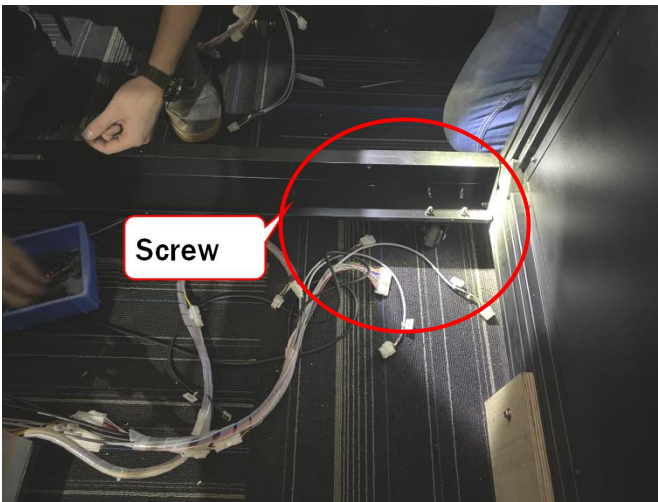


Name	Cross recessed hexagon screw set
Spec.	M4×30
Qty	4

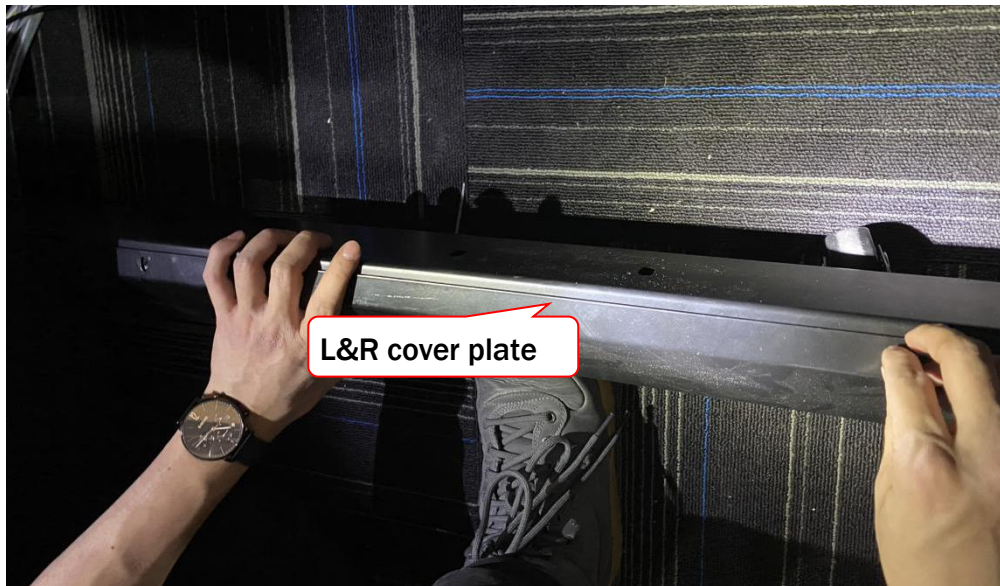
Step 18 Align the Back cabinet to the Mid cabinet. Install the service door to the Wiring case box.



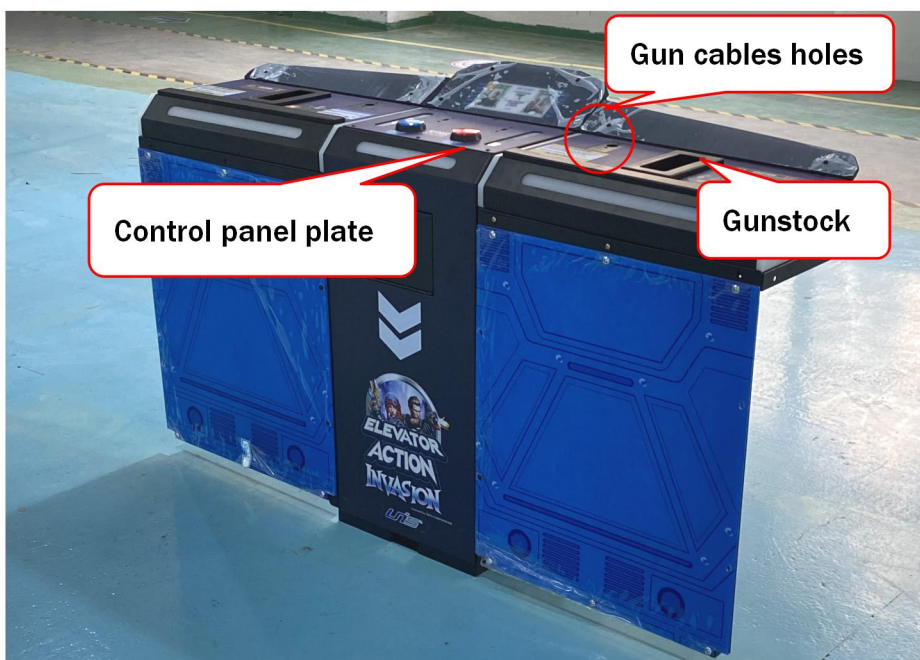
Step 19 Utilize Phillips screwdriver to secure Mid cabinet to the Back Cabinet. Utilize Phillips screwdriver to install L&R cover plate back.



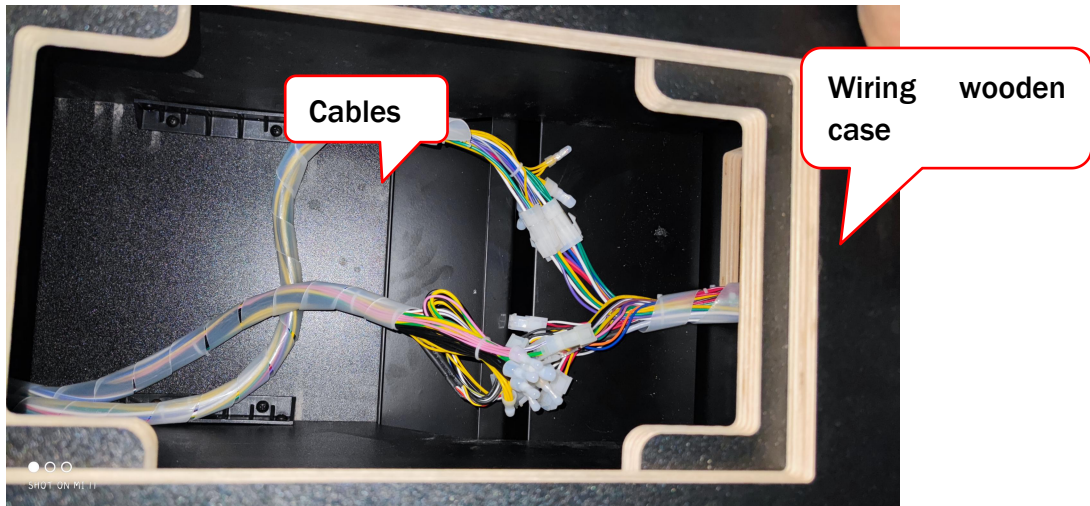
Name	Cross recessed hexagon screw set
Spec.	M8×40
Qty	4



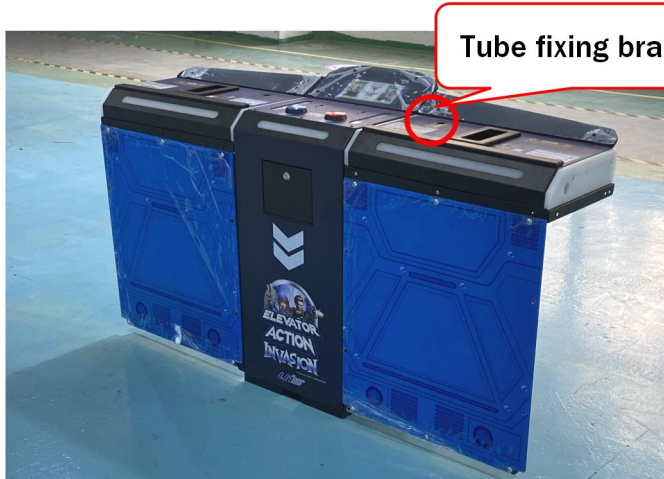
Step 20 Locate Control panel assembly. Place Gun assembly to the Gunstock. Loosen the screws to remove Control panel plate. Lead the cables through the hole as shown below.



Step 21 Lead the Gun cable to the Wiring wooden case. Connect all the cables.



Step 22 Utilize Phillips screwdriver to secure Tube fixing bracket.



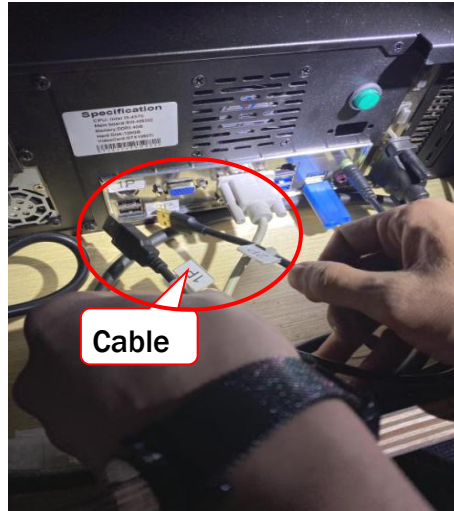
Name	Cross recessed hexagon screw set
Spec.	M6×10
Qty	2

Step 22 Utilize Phillips screwdriver to secure Supporting bracket outer cover plate to the Tube fixing bracket. Secure the Control panel back

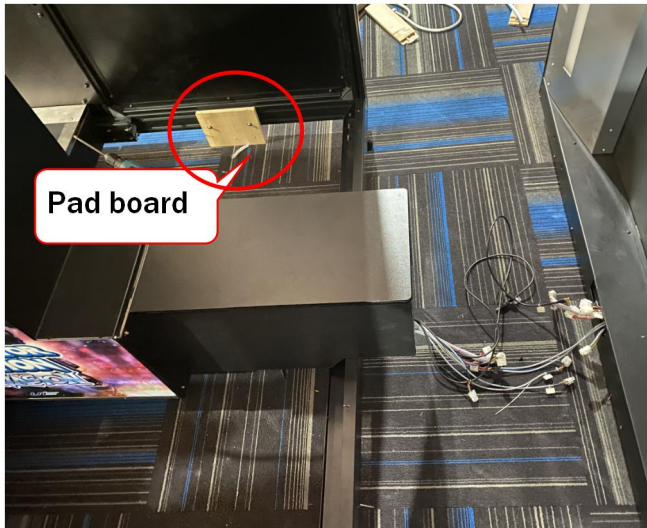


Name	Hexagon socket flat round head screws
Spec.	M4×8
Qty	2

Step 23 Locate the Rear cabinet. Open the Bottom back board. Lead 2 cables(Labels: P1&P2) to the Back cabinet PC side. Connect the Cables to the PC P1&P2 side.

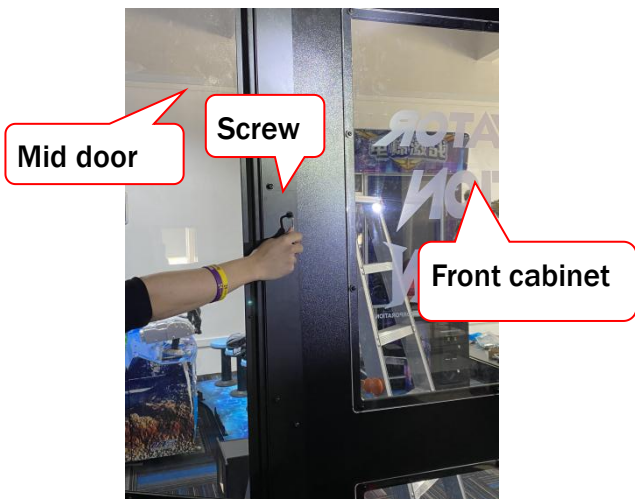


Step 24 Remove Pad board.



Step 25 Locate Front cabinet. Utilize Allen wrench to secure Front cabinet and Mid door.

Note: It is the same method on the other side.



Name	Standard washer & C washer
Spec.	Ø6
Qty	3

Name	Hexagon socket flat round head screws
Spec.	M6×20
Qty	3



Step 26 Install L bottom marquee back.

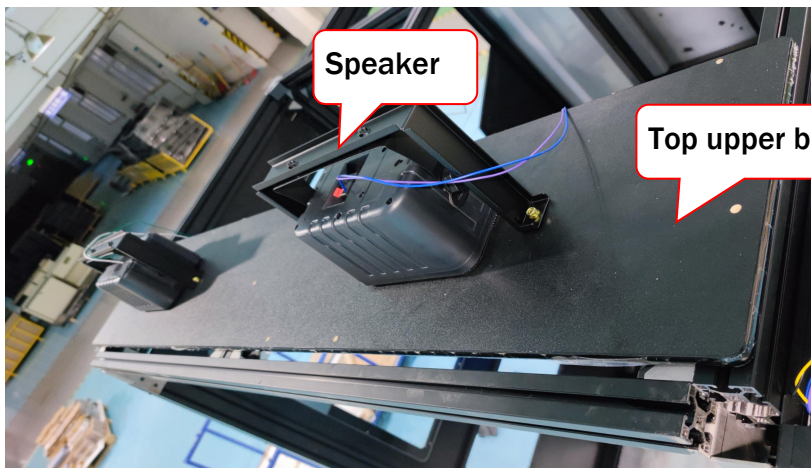


Step 27 Install Speaker to the Top upper board. Utilize screws to fix the speaker to the board.



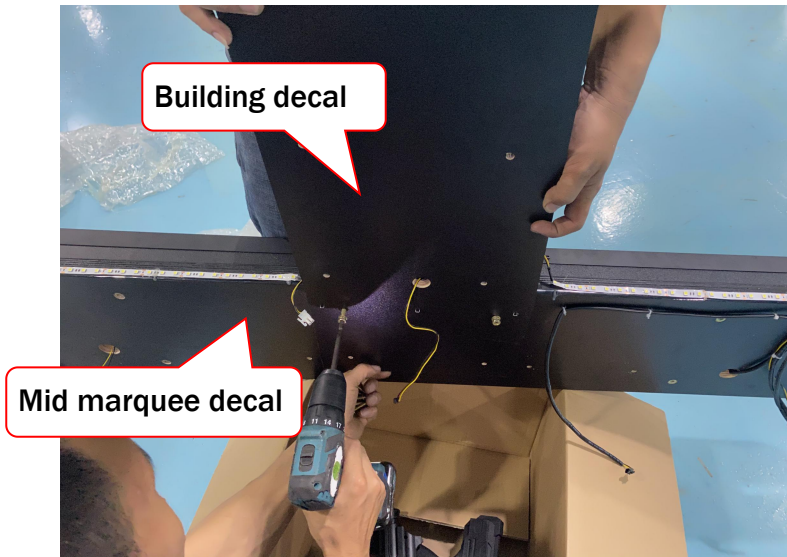
Name	Cross recessed hexagon screw set
Spec.	M6×12
Qty	4

Step 28 Install Top upper board to the Front cabinet. Utilize screws to secure Top upper board to the Front cabinet.



Name	Cross recessed hexagon screw set
Spec.	M6×20
Qty	3

Step 29 Install Building decal to the Mid marquee decal. Utilize screws to fix the decal.



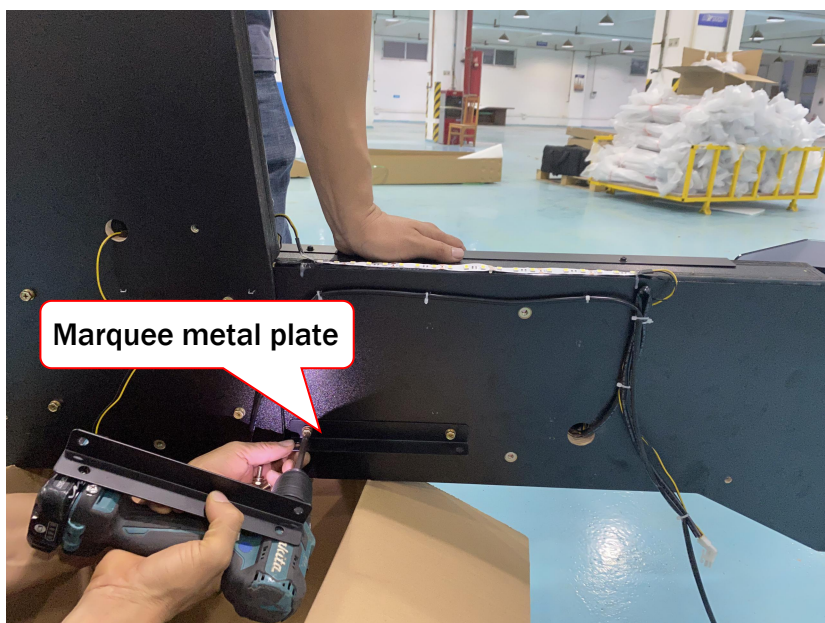
Name	Cross recessed hexagon screw set
Spec.	M6×30
Qty	4

Step 30 Install L&R fire decal. Utilize screws to fix the L&R fire decal.



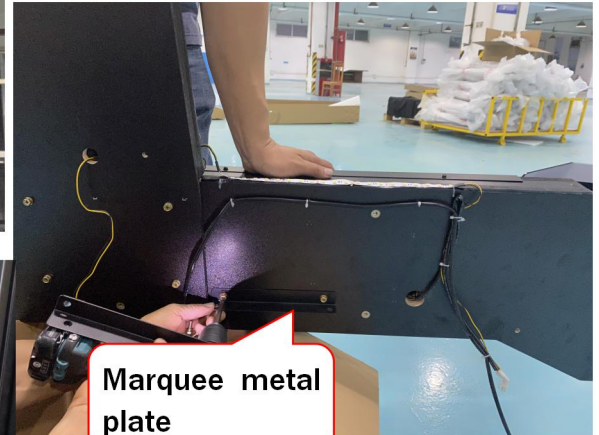
Name	Cross recessed hexagon screw set
Spec.	M6×16
Qty	4

Step 31 Install Marquee metal plate. Utilize screws to fix the Marquee metal plate.

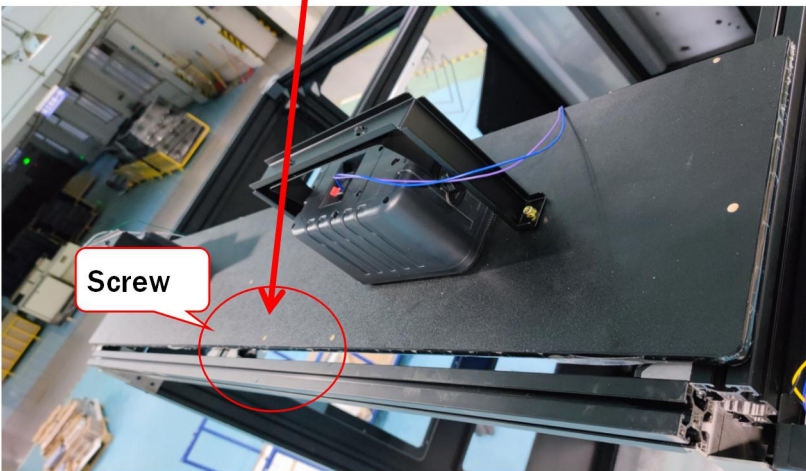


Name	Cross recessed hexagon screw set
Spec.	M6×16
Qty	4

Step 32 Place Mid marquee to the Front cabinet. Utilize screws to fix the Marquee metal plate and Marquee base board.



Marquee metal plate

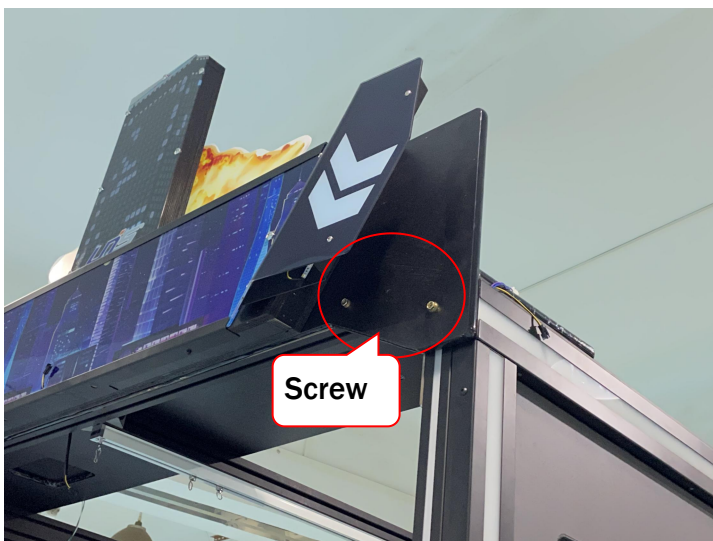


Screw



Name	Cross recessed hexagon screw set
Spec.	M6×20
Qty	4

Step 33 Utilize screws to secure Marquee board to the Front cabinet.

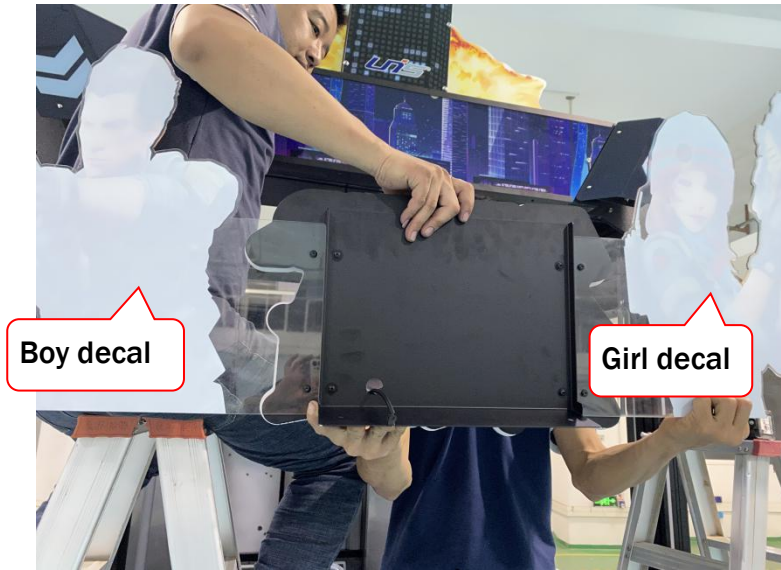


Screw



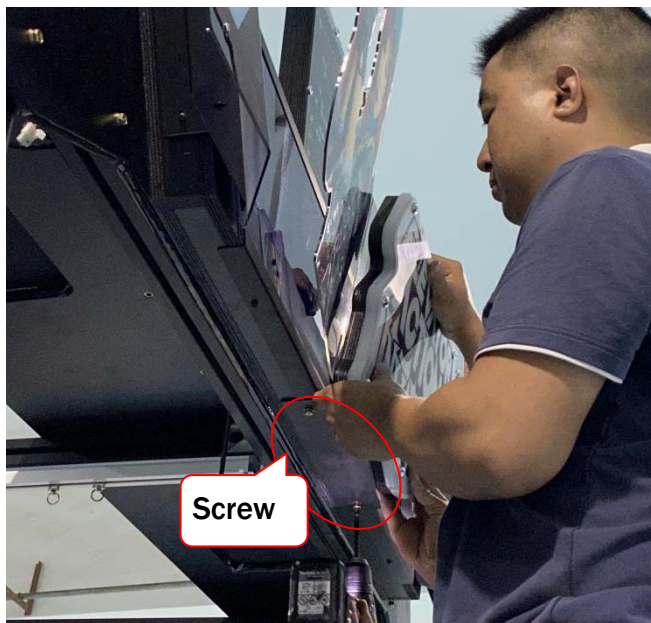
Name	Cross recessed hexagon screw set
Spec.	M6×20
Qty	4

Step 34 Install Boy&Girl decal. Utilize screws to secure decal to the LOGO marquee.



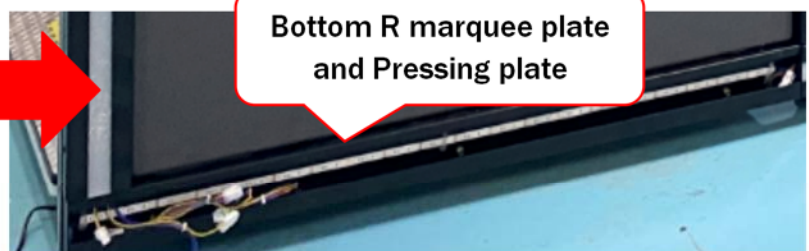
Name	Hexagon socket flat round head screws
Spec.	M6x30
Qty	4

Step 35 Install LOGO marquee to Mid marquee. Utilize screws to secure. Connect all the marquee connector.

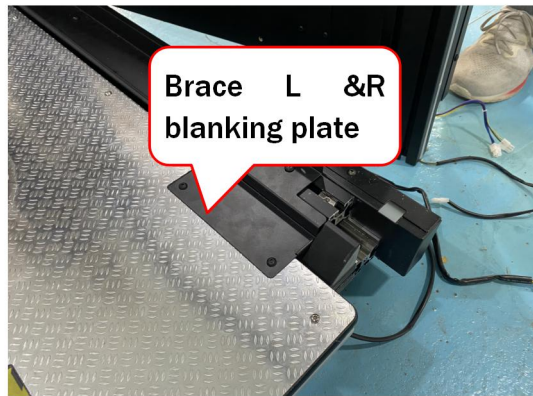
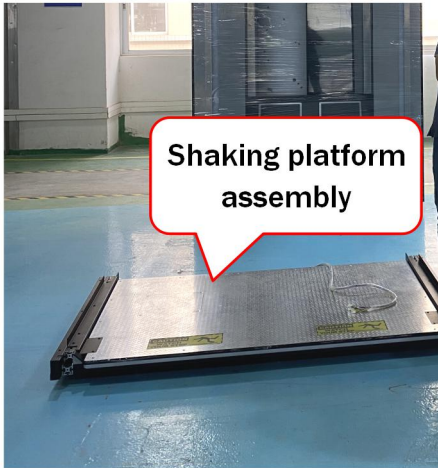


Name	Hexagon socket flat round head screws
Spec.	M6x16
Qty	2

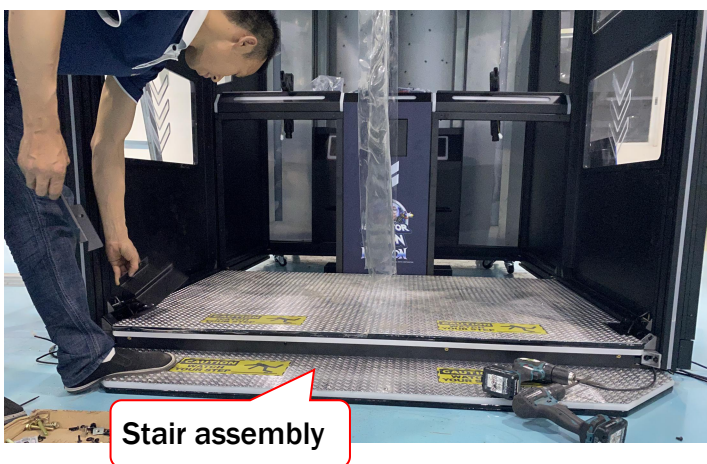
Step 36 Locate the Front cabinet. Connect all the connectors. Install the Bottom R marquee plate and Pressing plate back;



Step 37 Install Pedal assembly and Brace L &R blanking plate back.



Step 38 Install Stair assembly. Connect the connector. Utilize screws to fix the Stair assembly.



Name	Cross recessed hexagon screw set
Spec.	M6×16
Qty	4



Step 39 Utilize Hook to secure the Curtain.



Step 40 Install Top cloth to the top of the Mid cabinet. Utilize Allen wrench to tighten screws to the Mid cabinet and Top cover.

Notice: The shorter side (the distance between screw hole and cloth) need to install in the Back cabinet side.



Name	Hexagon socket flat round head screw
Spec.	M6×20
Qty	10



Name	Standard washer & C washer
Spec.	Ø6
Qty	10



Step 41 Install Cover to the top of the Front cabinet. Utilize Allen wrench to tighten screws to the Mid cabinet and Top cover.



Name	Standard washer & C washer
Spec.	Ø6
Qty	10

Name	Hexagon socket flat round head screw
Spec.	M6×20
Qty	10



Finish!



4.5 Card Reader Installation Safety Notice



Take precaution to assure that all wiring voltages are confirmed prior to installation of card reader. All warranties are void if not properly installed resulting in logic board damage.

Important: This game is pre-wired to AAMA standards. It is highly recommended to utilize this wiring for Card reader installation.

5. HOW TO PLAY

5.1 Tap card to play. Choose between two characters in single mode. While in 2 player mode work together to stop the invasion.

5.2 Use the Gun to aim at the enemy and shoot.



5.3 In 2 Player mode: When two aiming circle close together, they can make a combo, causing more damage to the enemy.

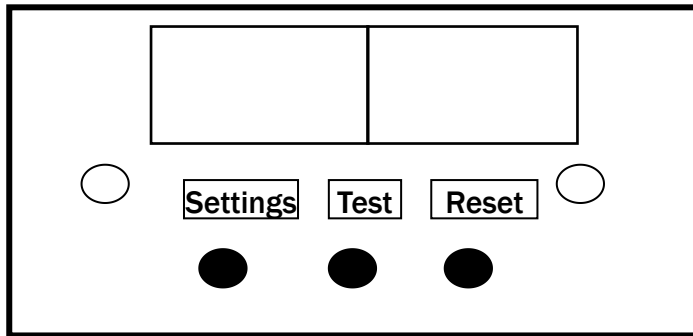


5.4 Tap card to continue to fight.



6. GAME OPTION

6.1 Adjustment button instruction



Open the coin door and there is a meter panel. Press Settings button to enter the setting menu.

6.2 Setting menu

6.2.1 Homepage

Options
Hardware Test
Payment Setting
Game Setting
System Setting
Language/语言
Date/Time Setting
Game Reset
Bookkeeping
About This Game
Back to game

6.2.2 Hardware Test

Options	Description
Input Test	Hardware Input Test
Gun Test	Gun Output Test
Elevator Door Test	Elevator Door Test
Light Test	Light Output Test
Sound Test	Sound Output Test
Back	

6.2.2.1 Input Test

Options	Description
P1 Coin	Insert coins to test.
P2 Coin	Insert coins to test.
P1 Start Button	Press P1 Start Button to test the button.
P2 Start Button	Press P2 Start Button to test the button.
Back	

6.2.2.2 Gun Test

Options	Description
P1 Gun status	Test gun status
P1 Gun shoot	Test gun shoot button
P1 Gun vibration	Gun vibrates
P1 Gun coordinate calibration	Gun calibration
P2 Gun status	Test gun status
P2 Gun shoot	Test gun shoot button
P2 Gun vibration	Gun vibrates
P2 Gun coordinate calibration	Gun calibration
Swap left and right gun	Switch P1 gun and P2 gun
Back	

6.2.2.3 Elevator Door Test

Options	Status	Description
Elevator door state	Door A open/ Door A close/ Door A error/ Door B open/ Door B close/ Door B error	Test Door A&B status
Door A switch infrared	/	Press the Reset button to test in order.
Door A open or close		
Door B switch infrared		
Door B open or close		
Back		

6.2.2.4 Light Test

Options	Status	Description
Game status	OFF/ Standby/ Normal fight/ Intense fight/ Fight climax/ Damage taken/ Continue to fight/ Level Passed/ Elevator closed	Press the Reset button to test in order.
P1 Start Button Light	OFF/ Stay On/ Glitter	
P2 Start Button Light		
Back		

6.2.2.5 Sound Test

Options	Description
Stereo Test	Press the Reset button to test in order.
Left Channel Test	
Right Channel Test	
P1 bass vibration test	
P2 bass vibration test	
Back	

6.2.3 Payment Setting

Options	Adjustable Value	Description
Free Play	ON/ OFF	
New Game Coins	1-99	Coins to start a game.
Continue coins	1-99	Coins to continue to play after game over.
Payment Mode	Insert Coin Only/ Tap Card Only/ Insert Bills Only/ Insert Coin & Tap Card/ Insert Card Only	
Back		

6.2.4 Game Setting

Options	Adjustable Value
Game difficulty	Easy/ Normal/ Hard
Number of ranks displayed	20/40/60/80/100
Back	

6.2.5 System Setting

Options	Adjustable Value	
Demo Music	ON/ OFF	Standby mode music
Volume	0-10	
Saved Coins Data	ON/ OFF	Select "ON": The rest coins of the machine will be retained after an unexpected power failure.
Back		

6.2.6 Language

Options
English
Chinese
Back

6.2.7 Date/Time Setting

Options	Adjustable Value
Year	1970-2070
Month	1-12
Day	1-31
Hour	0-24
Min	0-59
Sec	0-59
Back	

6.2.8 Game Reset

Options	Adjustable Value
Clear Bookkeeping	OK/ Cancel
Clear Unused Coins	OK/ Cancel
Clear Ranking Data	OK/ Cancel
Restore Game and System Setting	OK/ Cancel
Restore Factory Setting	OK/ Cancel
Back	

6.2.9 Bookkeeping

Options
Monthly Bookkeeping
Annual Bookkeeping
Total Bookkeeping
Pre page
Next page
Date
Month
Year

Options
Coins
Test coins
Total plays
Continued plays
Boot time
Game time
Average game time
Back

6.2.10 About this Game

Options	Introduction
CPU	i3-4170
Motherboard	H81
RAM	Kingston 4GB
Graphics card	Gigabyte GTX1050 Ti
Display resolution	1080x1920
Version	V1.5
Back	

6.3 IO Chart

6.3.1 M6B IO board

DIP Switch:									
Item	Content	SW2							
		1	2	3	4	5	6	7	8
		off	off	off	off	off	off	off	off
Item	Content	SW1							
		1	2	3	4	5	6	7	8
Elevator Door Speed	Full speed	OFF	OFF	OFF	OFF				OFF
	Mid speed 1	off	on	off	off				OFF
	Mid speed 2	off	off	on	off				OFF
	Mid speed 3	off	on	on	off				OFF
	Low speed	off	off	off	on				OFF
Machine Test	In Game					OFF			OFF
	Aging test	Note: Need to unplug J4 PC connector.				on			OFF
Gun Protect	Enabled							OFF	OFF
	Invalid							on	OFF
							off		OFF

Output/Music(SPK1):		
OUTPUT		Content
J16_1	J7_5	Coin meter 1
J16_2	J7_4	Coin meter 2
J16_3	J7_3	Start Button light 1
J16_4	J7_2	Start Button light 2
J16_5	J8_2	P1Gun shaking
J16_6	J8_3	P2Gun shaking
Output/Music(SPK2):		
OUTPUT		Content
J16_1	J9_5	L elevator down
J16_2	J9_4	
J16_3	J9_3	
J16_4	J9_2	R elevator down
J16_5	J10_2	
J16_6	J10_3	

TTL port:	
INPUT	Content
J14_1	Start Button 1
J14_2	Start Button 2
J14_3	Settings button
J14_4	Test button
J14_5	Reset button
J14_6	Motor enable ENA
J14_7	Motor 2 direction DIR
J14_8	Motor 2 pause PUL
J14_9	Motor 1 direction DIR
J14_10	Motor 1 pause PUL
J14_11/12	GND

Input port:	
INPUT	Content
J17_1	5V
J17_2	Motor sensor 1
J17_3	Motor sensor 2
J17_4	GND
J17_5	
J17_6	Coin 1
J17_7	Coin 2
J17_4/8	GND

3232 serial port:		
INPUT		Content
J4_1		PC COM port 2
J4_2		PC COM port 3
J4_3		PC COM port 5
TTL serial port:		
INPUT		Content
J5_1	J18_1	5V
J5_2	J18_2	Gun sensor 2
J5_3	J18_3	Gun sensor 1
J5_4	J18_4	GND

6.3.2 Woofer shaking M6B board

DIP Switch:									
Item	Content	SW2							
		1	2	3	4	5	6	7	8
		off	off	off	off	off	off	off	off
Item	Content	SW1							
		1	2	3	4	5	6	7	8
Light Strip Color	Tri-color	OFF							ON
	Single color	on							ON
			off	off	off	off	off	off	ON

TTL port:	
INPUT	Content
J14_1	Side light strip G
J14_2	Side light strip R
J14_3	Side light strip B
J14_4	Frame light G
J14_5	Frame light R
J14_6	Frame light B
J14_7	Frame yellow light strip
J14_8	Control panel light strip
J14_9	
J14_10	
J14_11/12	GND

Input port:	
INPUT	Content
J17_1	5V
J17_2	
J17_3	
J17_4	GND
J17_5	
J17_6	
J17_7	
J17_4/8	GND

3232 serial port:	
INPUT	Content
J4_1	
J4_2	PC COM port 3
J4_3	PC COM port 5

TTL serial port:		
INPUT		Content
J5_1	J18_1	5V
J5_2	J18_2	
J5_3	J18_3	
J5_4	J18_4	GND

6.3.3 Stepping Motor Driver

DIP	SW1	SW2	SW3	SW4	SW5	SW6	SW7	SW8
Status	OFF	OFF	ON	OFF	OFF	ON	ON	ON
Content	Peak: 2.37A			Haif	Pulse/rev: 400			

7. TROUBLESHOOTING

7.1 Common Problem

Please confirm that all connectors fit tightly.

Symptom	Possible Cause	Recommended action
Game will not start	Cabinet assembly connector is loose.	Check connector.
	Cabinet assembly fault	Contact with UNIS Service.
Power off	Circuit protector make power SW in off state.	Turn on power SW again. If appeared again and again, machine has anomaly. Please contact with UNIS Service.
Card reader not working	The connector is loose.	Check connector.
	Card reader fault.	Check with card reader manufacturer.
No sound	Low volume	Raise the volume.
	Connector loose.	Check connector.
	Speaker fault.	Check speaker.
	POT installation error.	Install POT correctly.
	POT fault.	Change POT.
	Audio cable problem.	Reconnect the audio cable or change it.
	PC crash.	Restart or system recovery.
Display black screen	Check connectors.	Plug in connector tightly
	Display fault.	Utilize another source such as a PC to verify if the display is operational.
	RAM is loose.	Remove and reinsert RAM.
Display blue screen	PC power cord is loose	Check PC power cord whether is loose.
	VGA signal cable is loose.	Check VGA cable
	PC video card is loose.	Reseat video card.
	“0X000000A” code appears. Conflict between computer drive and software.	Contact service

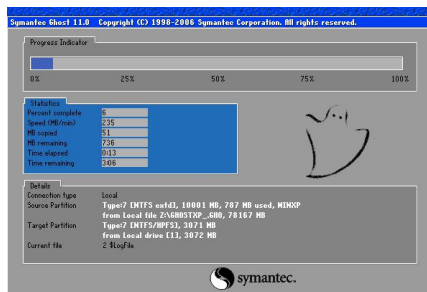
Note: After replacing component from PC (except for RAM), and replacing monitor, the game should be recovered again with the recovery stick attached to the machine.

If you see following error signs showing on the display, please try the recommended action.

Display	Possible Cause	Recommended action
IO board connection failed 	IO board plug is loose.	Reinsert the IO board plug.
	IO board is faulty.	Replace the IO board.
Dongle failed 	Dongle is loose.	Reinsert the dongle.
	Dongle is faulty.	Replace the dongle.
P1 gun detection failed 	P1 gun plug is loose.	Reinsert the P1 gun plug
	P1 gun is faulty.	Replace the P1 gun.
P2 gun detection failed 	P2 gun plug is loose.	Reinsert the P2 gun plug
	P2 gun is faulty.	Replace the P2 gun.
P1 or P2 gun is not calibrated 	P1 or P2 gun is not calibrated	Enter Setting menu to calibrate P1 or P2 gun.
P1 gun abnormal 	P1 gun plug is loose.	Reinsert the P1 gun plug
	P1 gun is faulty.	Replace the P1 gun.
P2 gun abnormal 	P2 gun plug is loose.	Reinsert the P2 gun plug
	P2 gun is faulty.	Replace the P2 gun.

7.2 System Recovery Operation (NOTE: Do not disconnect power during this process.)

1. Turn off the game. Remove the recovery stick from the machine. (Note: This process may take up to 60 minutes) Insert the recovery stick into the port at the back of the computer.
2. Restart PC to enter the system recovery screen as shown.



3. The game will automatically start recovery.
4. Once system recovery is partially finished (as shown below), and the ICON appears, remove the recovery stick from the computer. The game will continue the install process.

OK to remove the recovery stick.



5. Assure that the recovery stick has been properly secured for future use.



WARNING: The recovery stick should only be used to fix software errors. Using it for other purposes may cause unexpected results and damages.

8. MAINTENANCE & INSPECTION

8.1 Safety Check

Check the points listed before operating the machine. These checks are necessary for safe machine operation:

1. Test game before operation each day.
2. Conduct monthly routine checks of game components to ensure good working condition.
3. Check the machine regularly for dust and clean when necessary.

Note: Parts and components require preventative maintenance to maintain proper operation.

8.2 Handling Precautions

When installing or inspecting the machine, be very careful and pay attention to ensure that the player can enjoy the game safely.

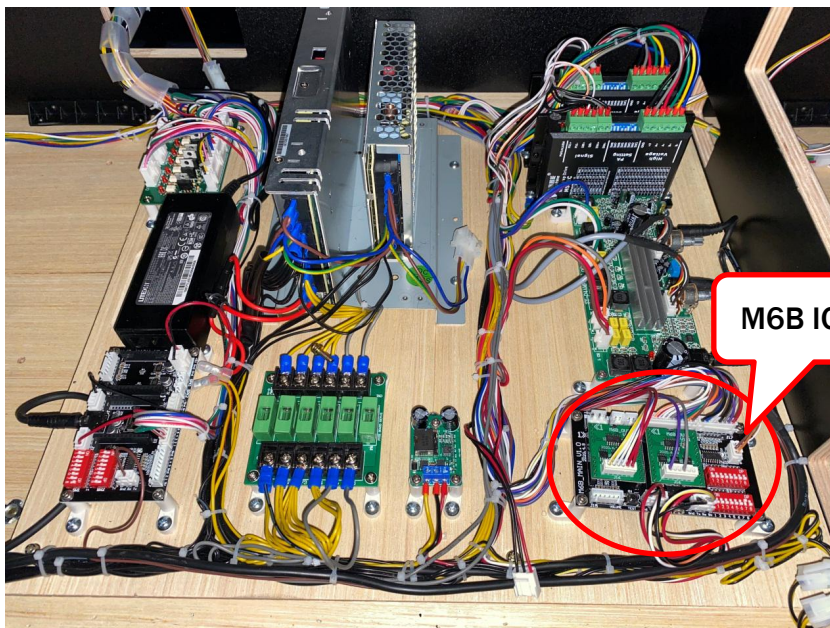
Inappropriate handling running counter to the cautionary matters can cause personal injury or damage to the machine.

! NOTICE

We do not recommend using power tools as they may cause damage.

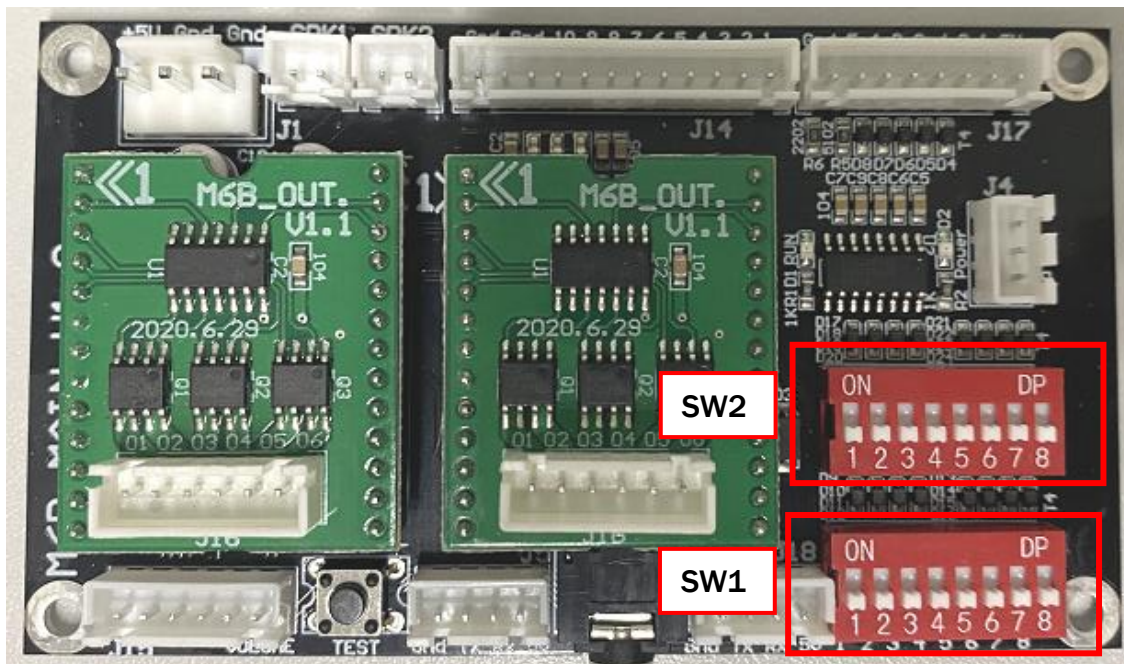
8.3 How To Adjust Elevator Door Speed

Step 1 Power off the machine. Locate the back bottom door and open. Locate M6B IO board as picture shown.



Step 2 SW1 is on the bottom side, SW2 is on the upper side. Turn the SW1 according the speed you need based on the IO chart as shown below.

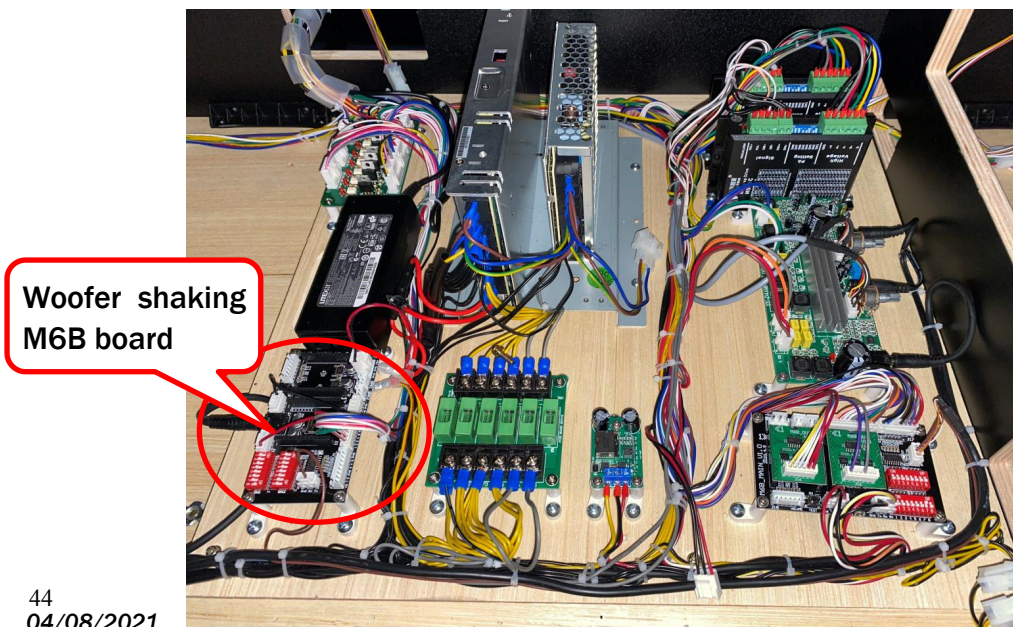
Notice: SW2 must be all **OFF** positions.



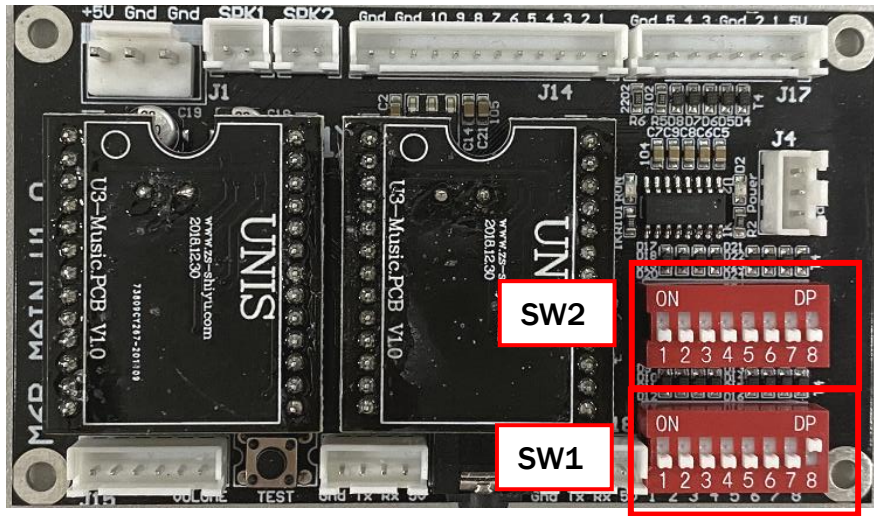
Item	Content	SW1							
		1	2	3	4	5	6	7	8
Elevator Door Speed	Full speed	OFF	OFF	OFF	OFF				OFF
	Mid speed 1	off	on	off	off				OFF
	Mid speed 2	off	off	on	off				OFF
	Mid speed 3	off	on	on	off				OFF
	Low speed	off	off	off	on				OFF

8.4 How To Adjust Machine Light Strip Color

Step 1 Power off the machine. Locate the back bottom door and open. Locate Woofer shaking M6B board as picture shown.



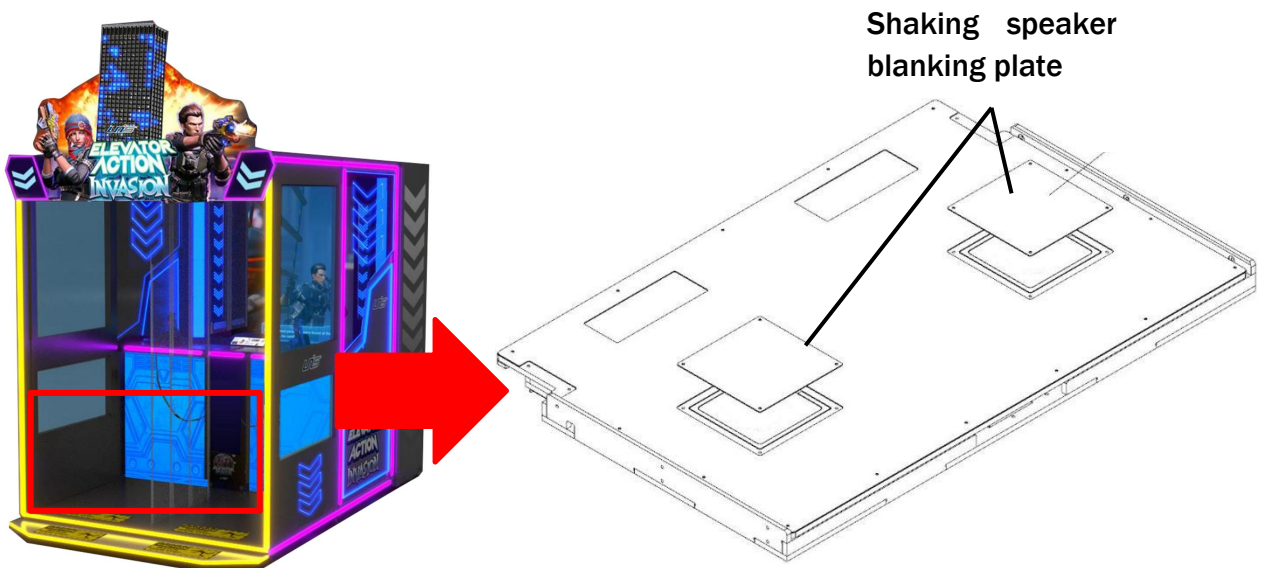
Step 2 SW1 is on the bottom side, SW2 is on the upper side. Turn the SW1 according the light you need based on the IO chart as shown below.



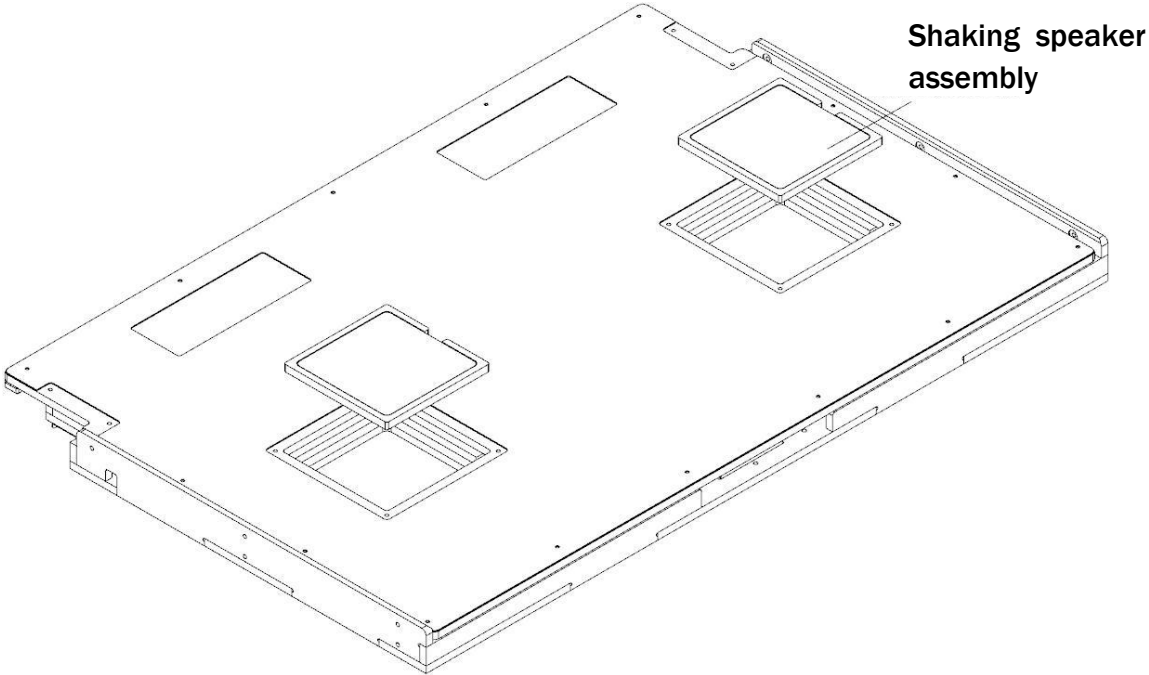
Item	Content	SW1								
		1	2	3	4	5	6	7	8	
Light Strip Color	Tri-color	OFF								ON
	Single color/purple	on								ON
			off	off	off	off	off	off	off	ON

8.4 Shaking Speaker Replacement Instruction

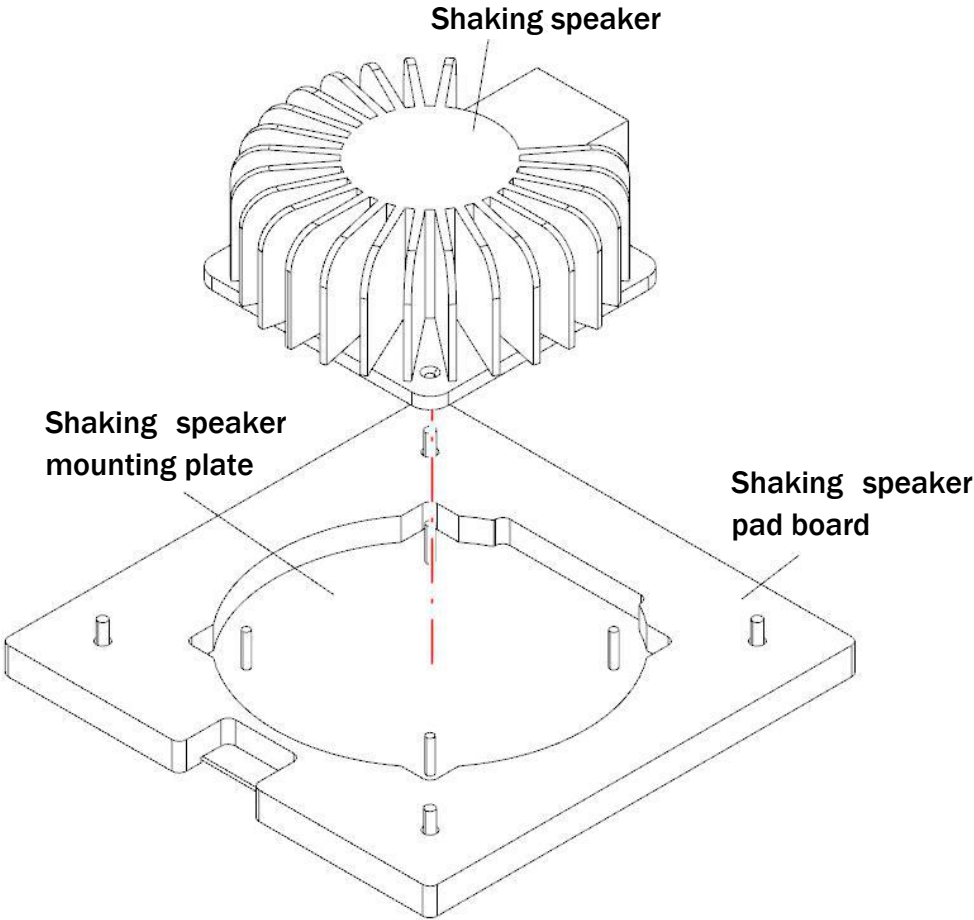
Step 1 Power off the machine. Locate Pedal assembly. Remove Shaking speaker blanking plate.



Step 2 Unplug connectors. Remove Shaking speaker assembly.



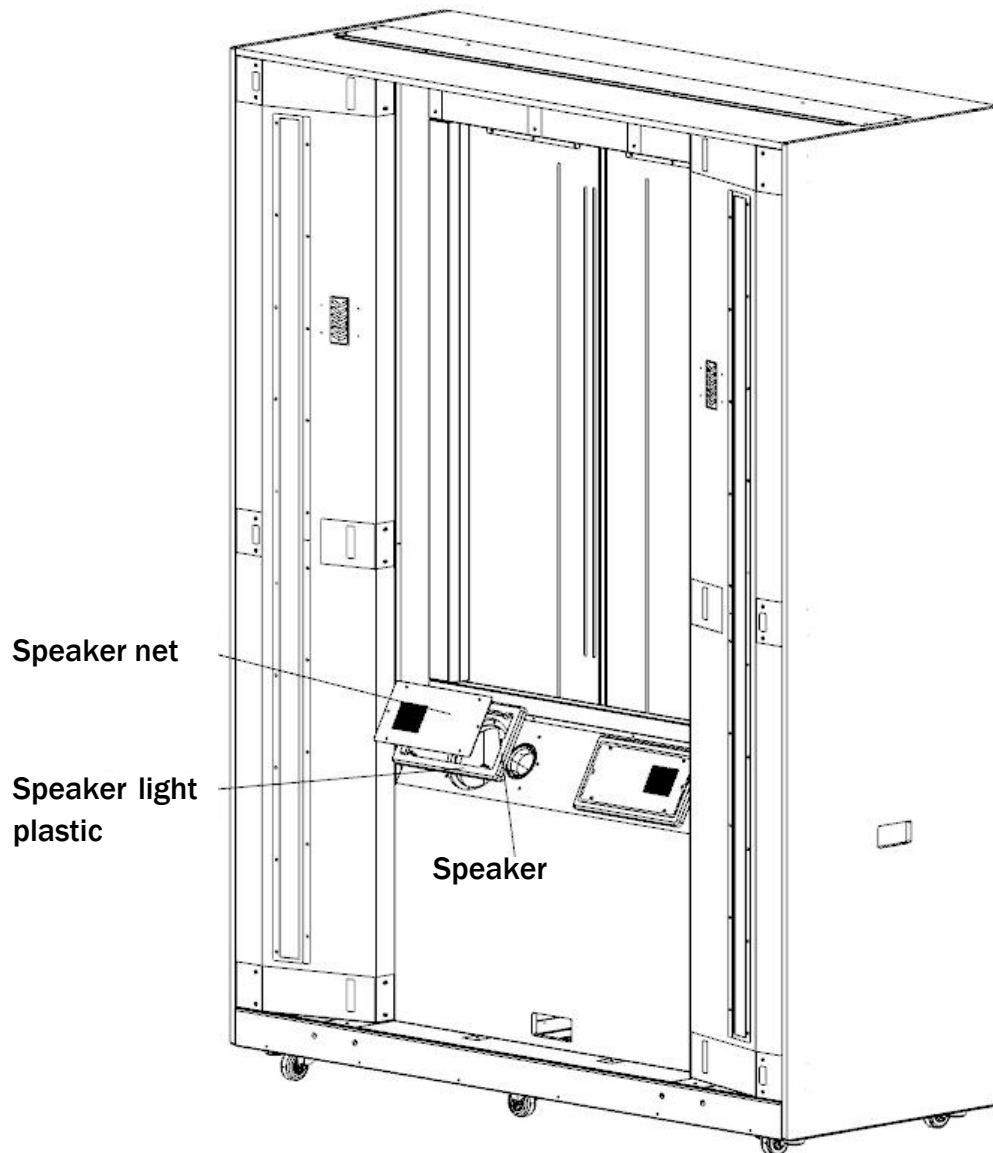
Step 3 Locate Shaking speaker assembly. Loosen nuts to remove Shaking speaker. Replace it with new shaking speaker and install it in reversed order.



8.5 Back Cabinet Speaker Replacement Instruction

Step 1 Power off the machine. Locate Back cabinet. Loosen screws to remove Speaker net and Speaker light plastic.

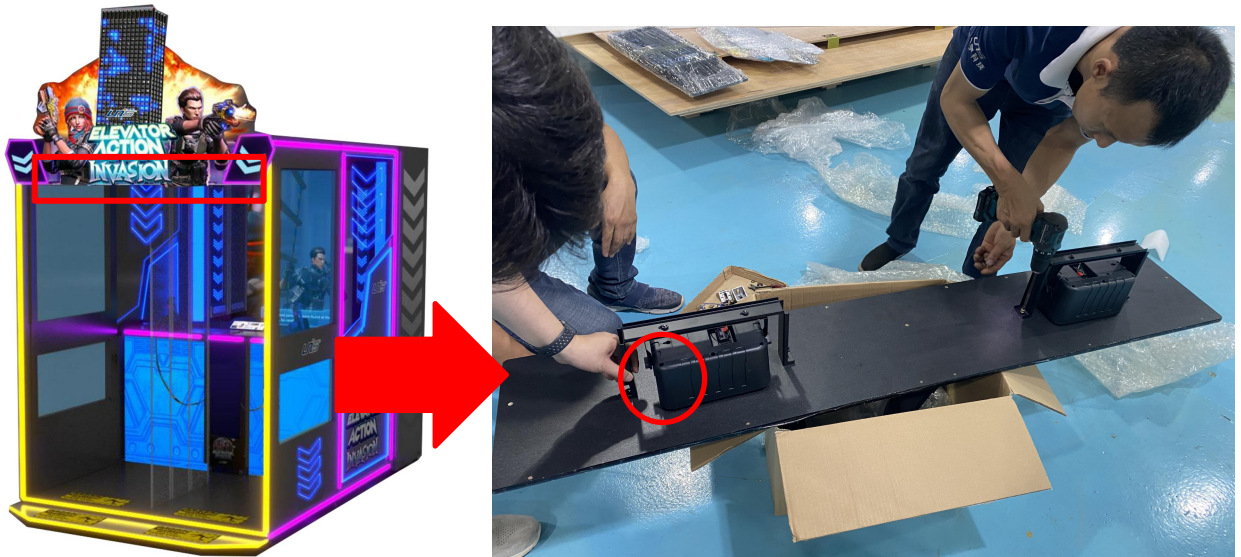
Step 2 Unplug Speaker Connector. Remove Speaker. Replace it with new Speaker and install it in reversed order.



8.6 Front Cabinet Speaker Replacement Instruction

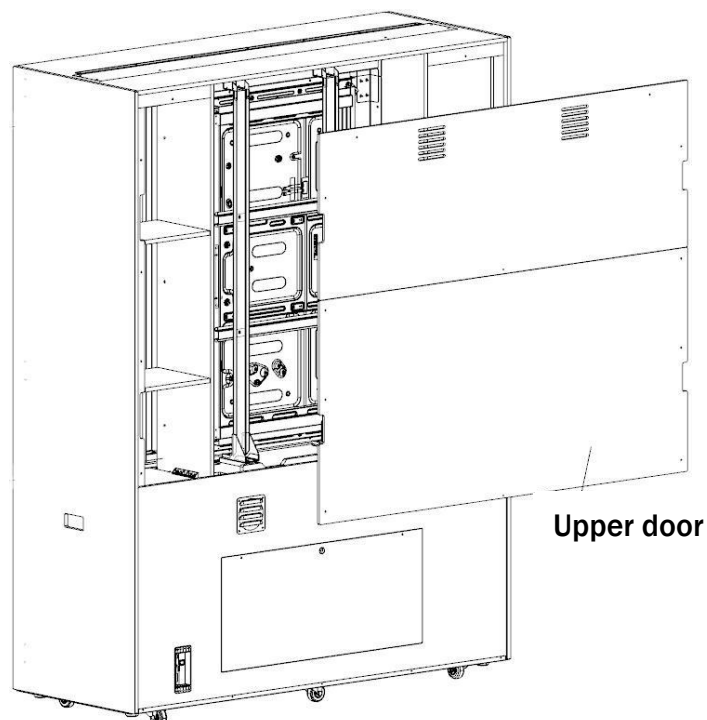
Step 1 Power off the machine. Locate Front cabinet speaker. Unplug the Speaker connectors.

Step 2 Loosen the screws to remove Speaker. Replace it with new Speaker and install it in reversed order.

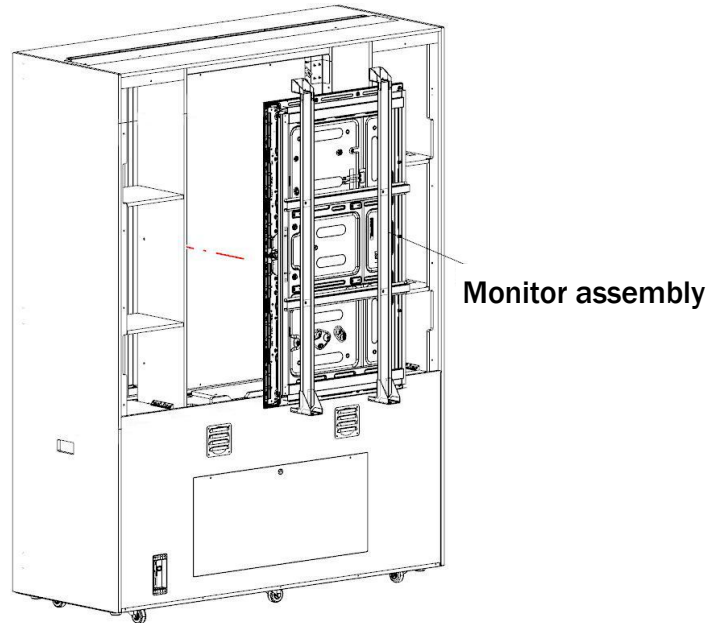


8.7 Monitor Replacement Instruction

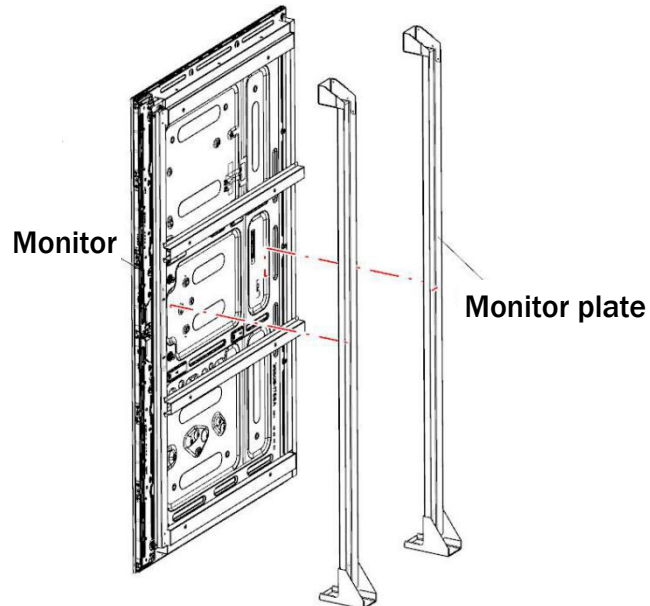
Step 1 Power off the machine. Locate Back cabinet upper door. Open the Upper door.



Step 2 Loosen 8 screws to remove Monitor assembly.

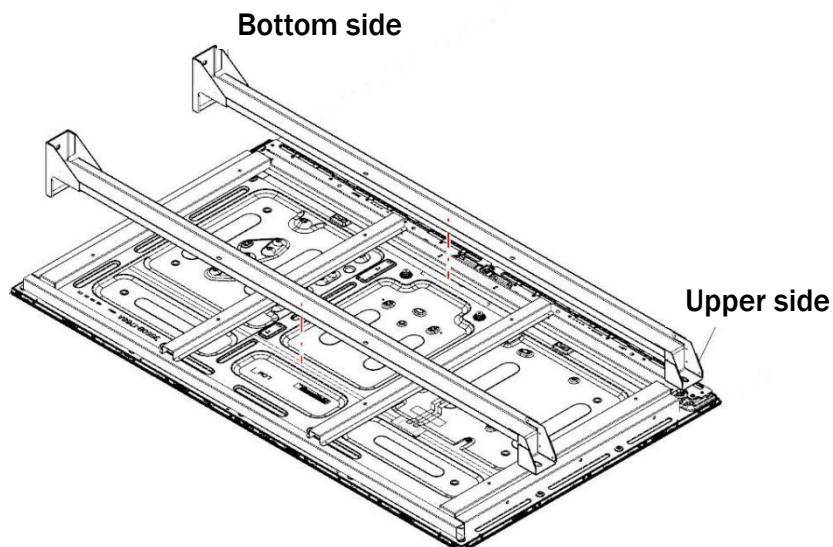


Step 3 Loosen 4 screws to remove Monitor plate.



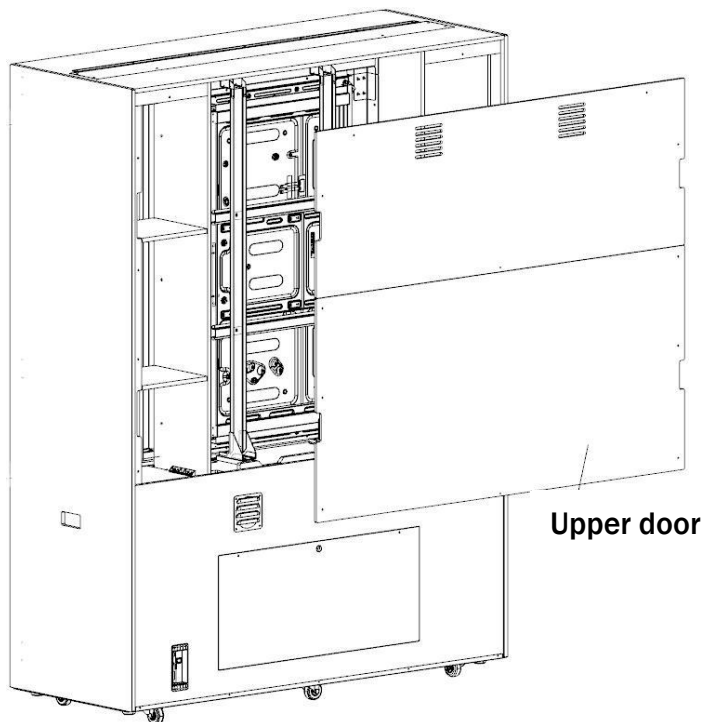
Step 4 Replace monitor with new monitor and install it in reversed order.

Notice: Please pay attention to the direction of the monitor and monitor plate during installation.

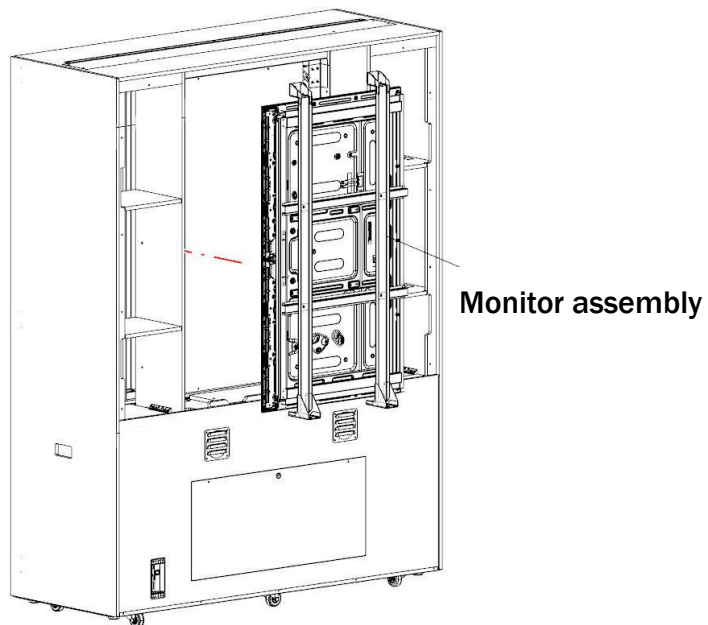


8.8 Sensor Replacement Instruction

Step 1 Power off the machine. Locate Back cabinet upper door. Open the Upper door.

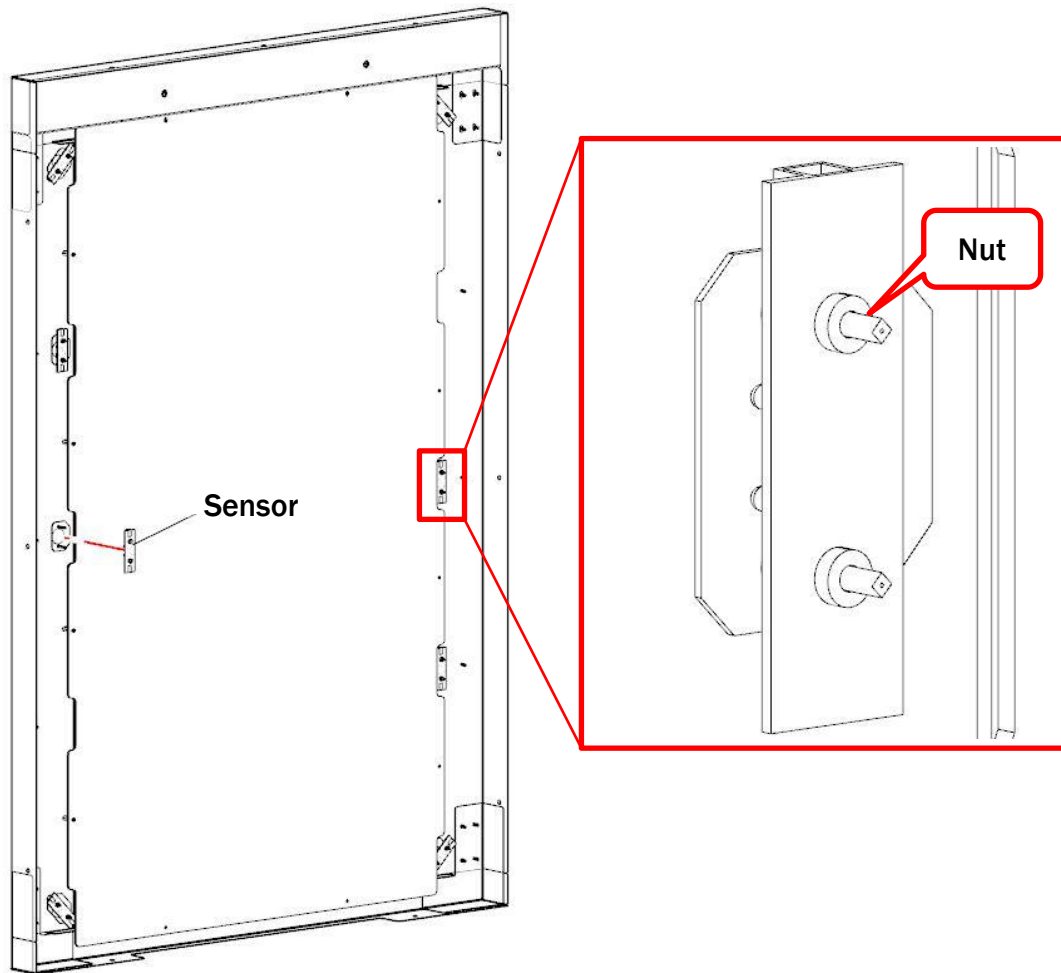


Step 2 Loosen 8 screws to remove Monitor assembly.



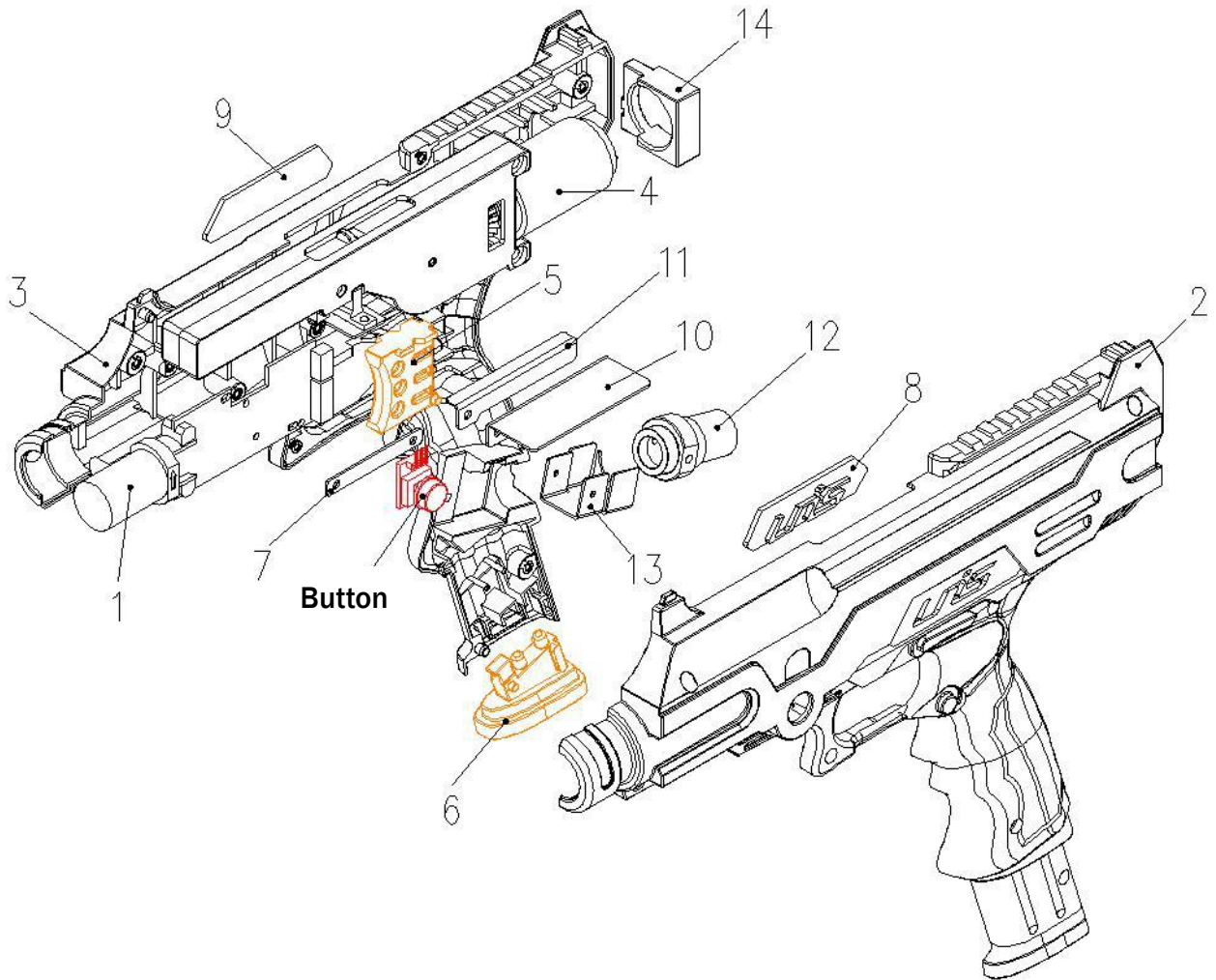
Step 3 Locate the sensor that needs to be replaced, unplug the sensor connector. Loosen nuts to remove sensor.

Replace it with new sensor and install it in reversed order.



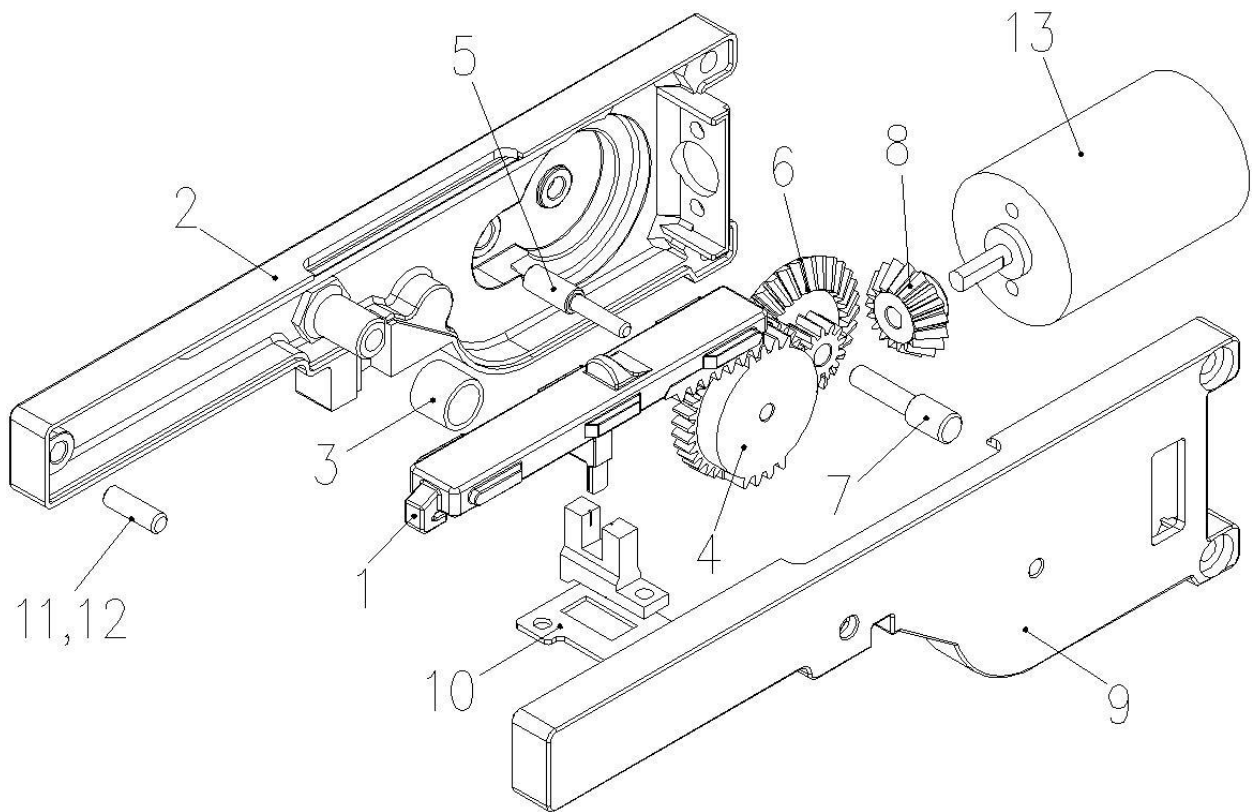
9. OVERALL CONSTRUCTION

9.1 Gun Assembly



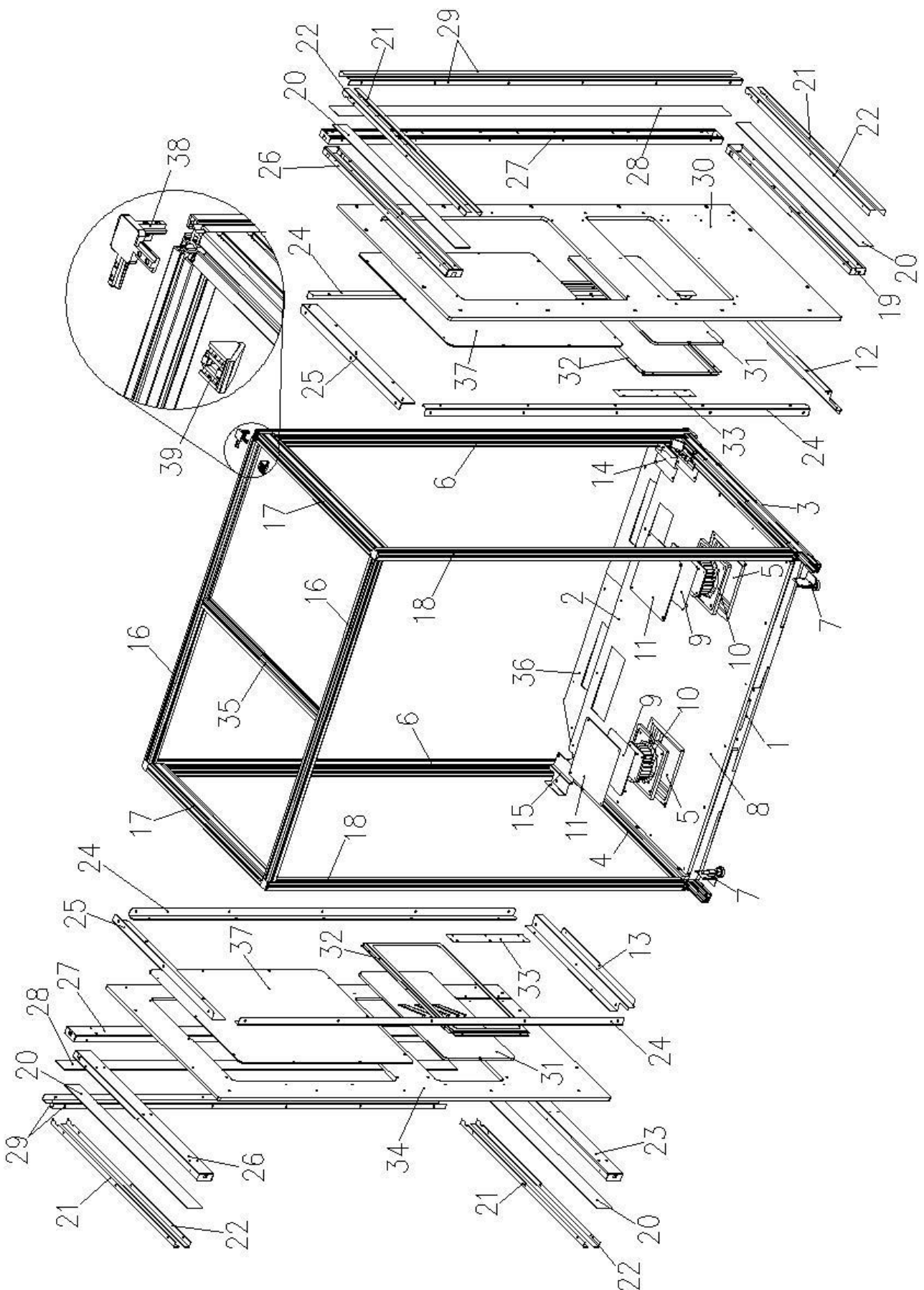
No.	Part No.	Code No.	Name	Version	Qty
1	E112-0802-00	2.15.04.000016	Gun board	V1.1	1
2	E112-0803-00	206.4.2011.082	L gun shell	V1.1	1
3	E112-0804-00	206.4.2011.083	R gun shell	V1.1	1
4	E112-0805-00	299.4.2106.011	Gun shaking assembly	V1.1	1
5	E112-0824-00	206.4.2011.091	Trigger	V1.1	1
6	E112-0825-00	206.4.2011.092	Reload button POM	V1.1	1
7	E112-0826-00	202.4.2011.272	Button fixing plate	V1.1	1
8	E112-0827-00	206.4.2011.093	LOGO L light plastic	V1.1	1
9	E112-0828-00	206.4.2011.094	LOGO R light plastic	V1.1	1
10	E112-0829-00	206.4.2011.095	L light strip PVC	V1.1	1
11	E112-0830-00	206.4.2011.096	R light strip PVC	V1.1	1
12	E112-0831-00	202.4.2011.273	Tube fixing plate	V1.1	1
13	E112-0832-00	202.4.2011.274	Fixing plate bracket	V1.1	1
14	E112-0833-00	206.4.2106.006	Motor limit POM	V1.1	1

9.1.1 Gun Shaking Assembly



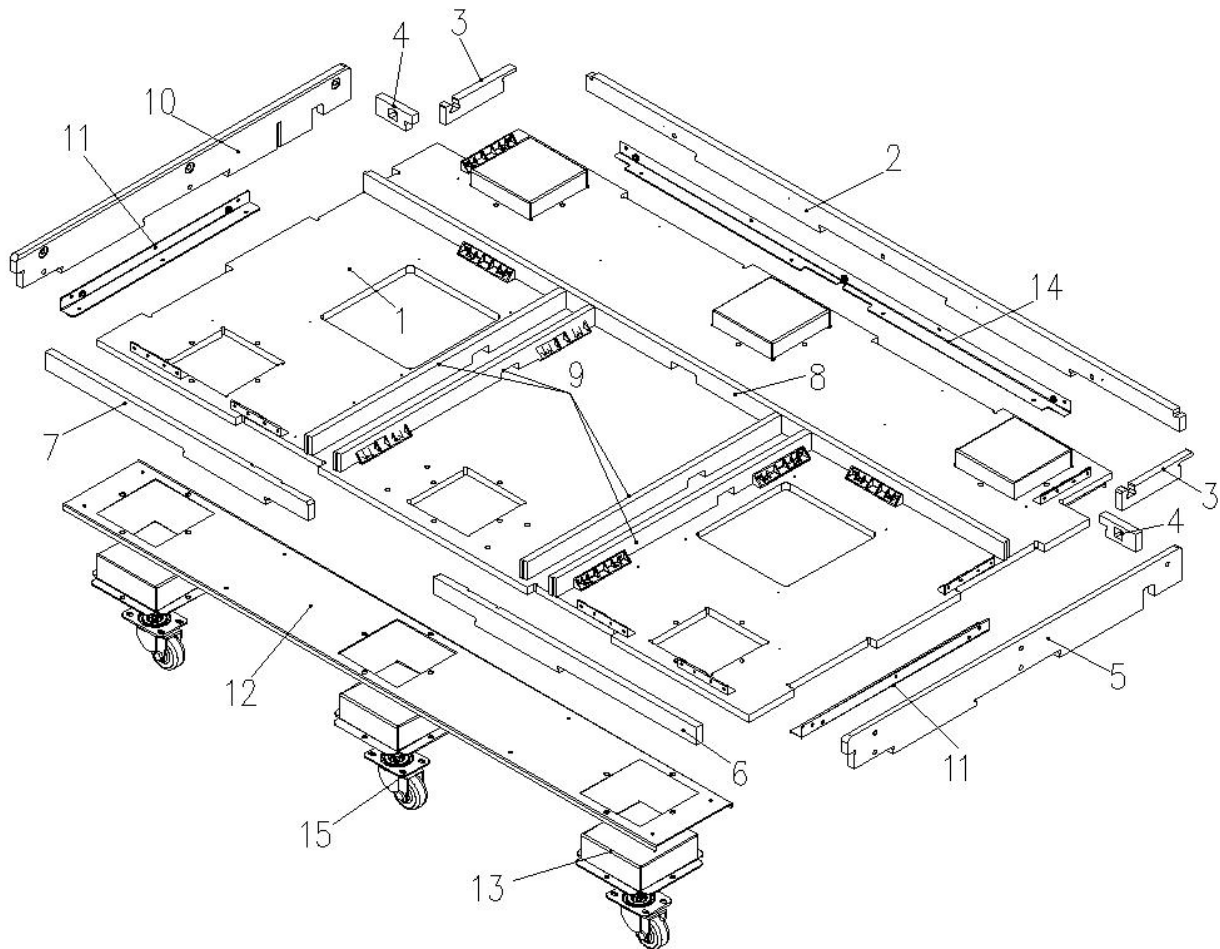
No.	Part No.	Code No.	Name	Version	Qty
1	E112-0806-00	206.4.2011.084	Block	V1.1	1
2	E112-0807-00	206.4.2011.085	Gear ABS	V1.1	1
3	E112-0808-00	206.4.2011.086	Anti-shake rubber	V1.1	1
4	E112-0809-00	206.4.2011.087	Reduction spur gear	V1.1	1
5	E112-0810-00	202.4.2011.269	Spur gear rod	V1.1	1
6	E112-0811-00	206.4.2011.088	Reduction spur&bevel gear	V1.1	1
7	E112-0812-00	202.4.2011.270	Bevel rod	V1.1	1
8	E112-0813-00	206.4.2011.089	Motor spur&bevel gear	V1.1	1
9	E112-0814-00	206.4.2011.090	Gear cover	V1.1	1
10	E112-0815-00	202.4.2011.271	Sensor mounting plate	V1.1	1
11	E112-0816-00	202.4.2106.050	Spring rod	V1.1	1
12	E112-0817-00	202.4.2106.051	Block spring	V1.1	1
13	E112-0818-00	2.34.04.010038	DC motor	V1.1	1

9.2 Shaking Platform Assembly(Front Cabinet)



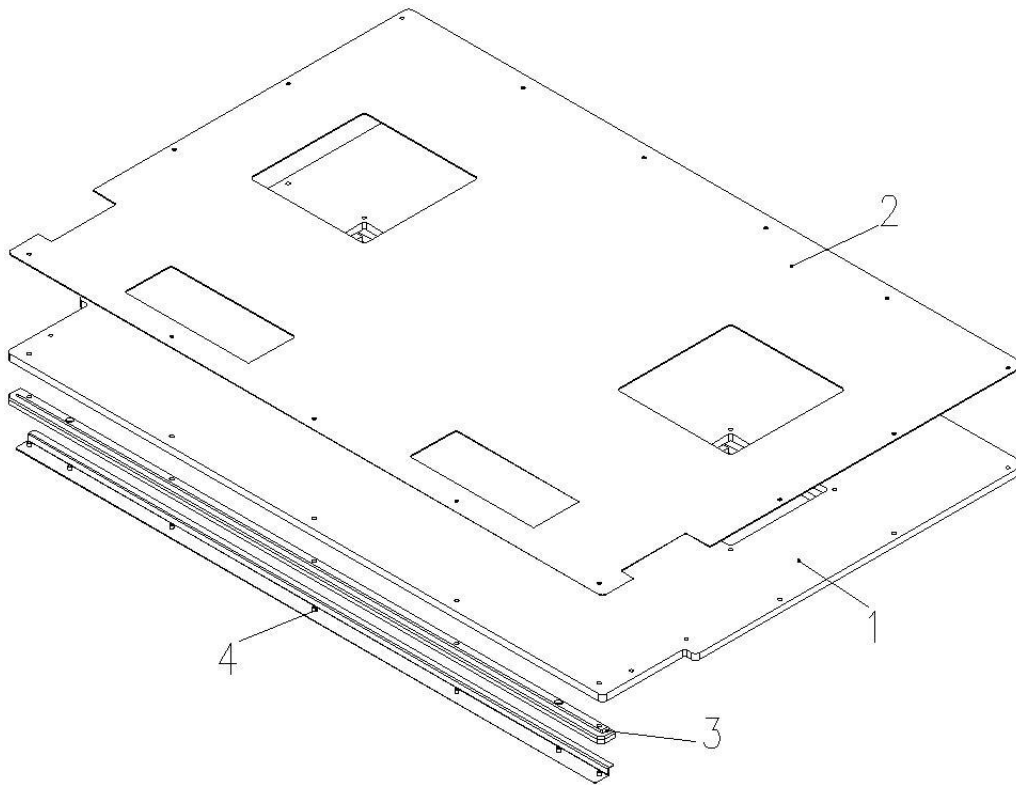
No.	Part No.	Code No.	Name	Version	Qty
1	E112-1002-00	299.4.2011.002	Shaking platform wooden assembly	V1.1	1
2	E112-1017-00	202.4.2011.279	Back bottom beam	V1.1	1
3	E112-1018-00	202.4.2011.280	L side bottom beam	V1.1	1
4	E112-1019-00	202.4.2011.281	R side bottom beam	V1.1	1
5	E112-1020-00	202.4.2011.282	Blanking plate	V1.1	2
6	E112-1021-00	202.4.2011.283	Back frame column	V1.1	2
7	E112-1022-00	202.4.2011.284	Brace connective plate	V1.1	4
8	E112-1023-00	299.4.2011.003	Pedal assembly	V1.1	1
9	E112-1030-00	202.4.2011.287	Shaking speaker mounting plate	V1.1	2
10	E112-1031-00	203.4.2011.015	Shaking speaker pad board	V1.1	2
11	E112-1032-00	202.4.2011.288	Shaking speaker blanking plate	V1.1	2
12	E112-1033-00	202.4.2011.289	Pedal L fixing plate	V1.1	1
13	E112-1034-00	202.4.2011.290	Pedal R fixing plate	V1.1	1
14	E112-1035-00	202.4.2011.291	Brace L blanking plate	V1.1	1
15	E112-1036-00	202.4.2011.292	Brace R blanking plate	V1.1	1
16	E112-1037-00	202.4.2011.293	Back upper beam	V1.1	2
17	E112-1038-00	202.4.2011.294	Side upper beam	V1.1	2
18	E112-1039-00	202.4.2011.295	Back frame front column	V1.1	2
19	E112-1040-00	202.4.2011.296	Bottom L marquee plate	V1.1	1
20	E112-1041-00	206.4.2011.098	Front cabinet plastic(h)	V1.1	4
21	E112-1042-00	202.4.2011.297	Front cabinet plastic(h) pressing plate 01	V1.1	4
22	E112-1043-00	202.4.2011.298	Front cabinet plastic(h) pressing plate 02	V1.1	4
23	E112-1044-00	202.4.2011.299	Bottom R marquee plate	V1.1	1
24	E112-1045-00	202.4.2011.300	Side plate(vertical)	V1.1	4
25	E112-1046-00	202.4.2011.301	Side plate(horizontal)	V1.1	2
26	E112-1047-00	202.4.2011.302	Upper L marquee plate	V1.1	2
27	E112-1048-00	202.4.2011.303	Front cabinet plastic(v) plate	V1.1	2
28	E112-1049-00	206.4.2011.099	Front cabinet plastic(v)	V1.1	2
29	E112-1050-00	202.4.2011.304	Front cabinet plastic(v) pressing plate	V1.1	4
30	E112-1051-00	203.4.2011.016	Front cabinet L side board	V1.1	1
31	E112-1052-00	206.4.2011.100	Small view plastic	V1.1	2
32	E112-1053-00	202.4.2011.305	Small view plastic plate	V1.1	2
33	E112-1054-00	202.4.2011.306	Wiring cover plate	V1.1	2
34	E112-1055-00	203.4.2011.017	Front cabinet R side board	V1.1	1
35	E112-1056-00	202.4.2011.307	Front cabinet upper mid beam	V1.1	1
36	E112-1063-00	299.4.2106.019	Stair assembly	V1.1	1
37	E112-1072-00	206.4.2106.029	Large view plastic	V1.1	2
38	E112-0707-00	2.51.00.020044	3D connective plate	V1.1	4
39	E112-0708-00	2.51.00.110012	Angle plate	V1.1	26

9.2.1 Shaking Platform Wooden Assembly



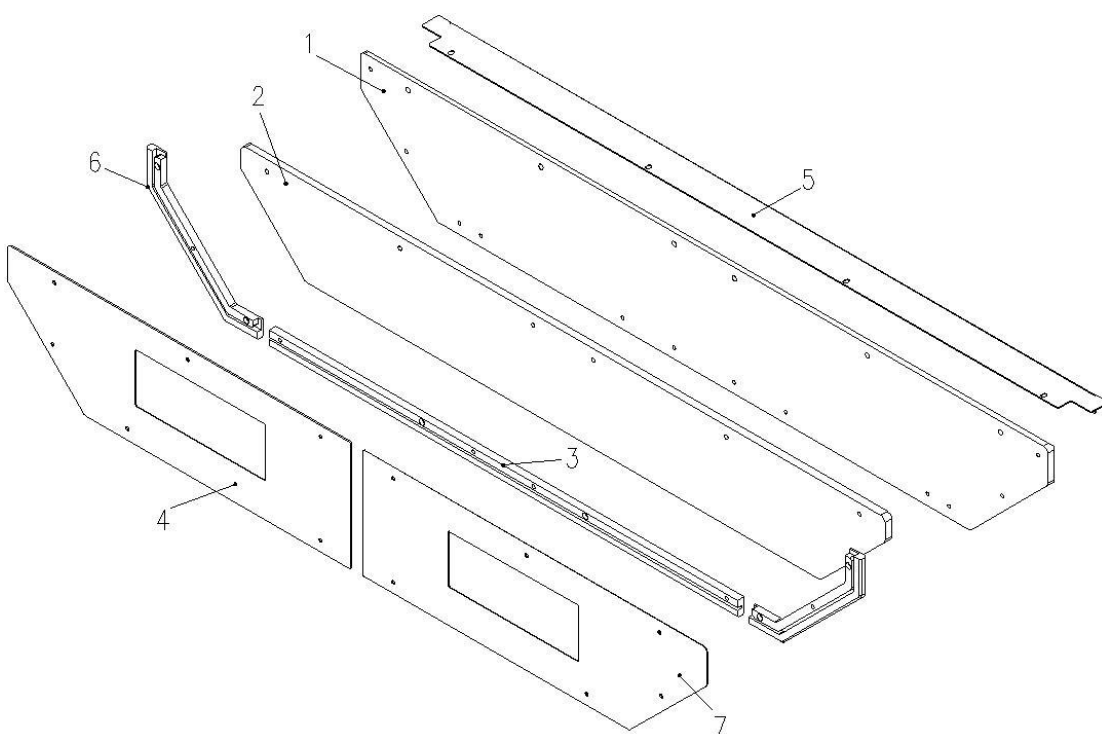
No.	Part No.	Code No.	Name	Version	Qty
1	E112-1003-00	203.4.2011.004	Shaking platform base board	V1.1	1
2	E112-1004-00	203.4.2011.005	Shaking platform back board	V1.1	1
3	E112-1005-00	203.4.2011.006	Back L side board	V1.1	2
4	E112-1006-00	203.4.2011.007	Back L blocking board	V1.1	2
5	E112-1007-00	203.4.2011.008	L side board	V1.1	1
6	E112-1008-00	203.4.2011.009	Front L side board	V1.1	1
7	E112-1009-00	203.4.2011.010	Front R side board	V1.1	1
8	E112-1010-00	203.4.2011.011	Horizontal strengthen board	V1.1	1
9	E112-1011-00	203.4.2011.012	Vertical strengthen board	V1.1	4
10	E112-1012-00	203.4.2011.013	R side board	V1.1	1
11	E112-1013-00	202.4.2011.275	Side board fixing plate	V1.1	2
12	E112-1014-00	202.4.2011.276	L strengthen plate	V1.1	2
13	E112-1015-00	202.4.2011.277	Caster mounting plate	V1.1	6
14	E112-1016-00	202.4.2011.278	Back board fixing plate	V1.1	1
15	E112-0147-00	2.55.01.000047	2.5" caster	V1.1	6

9.2.2 Pedal Assembly



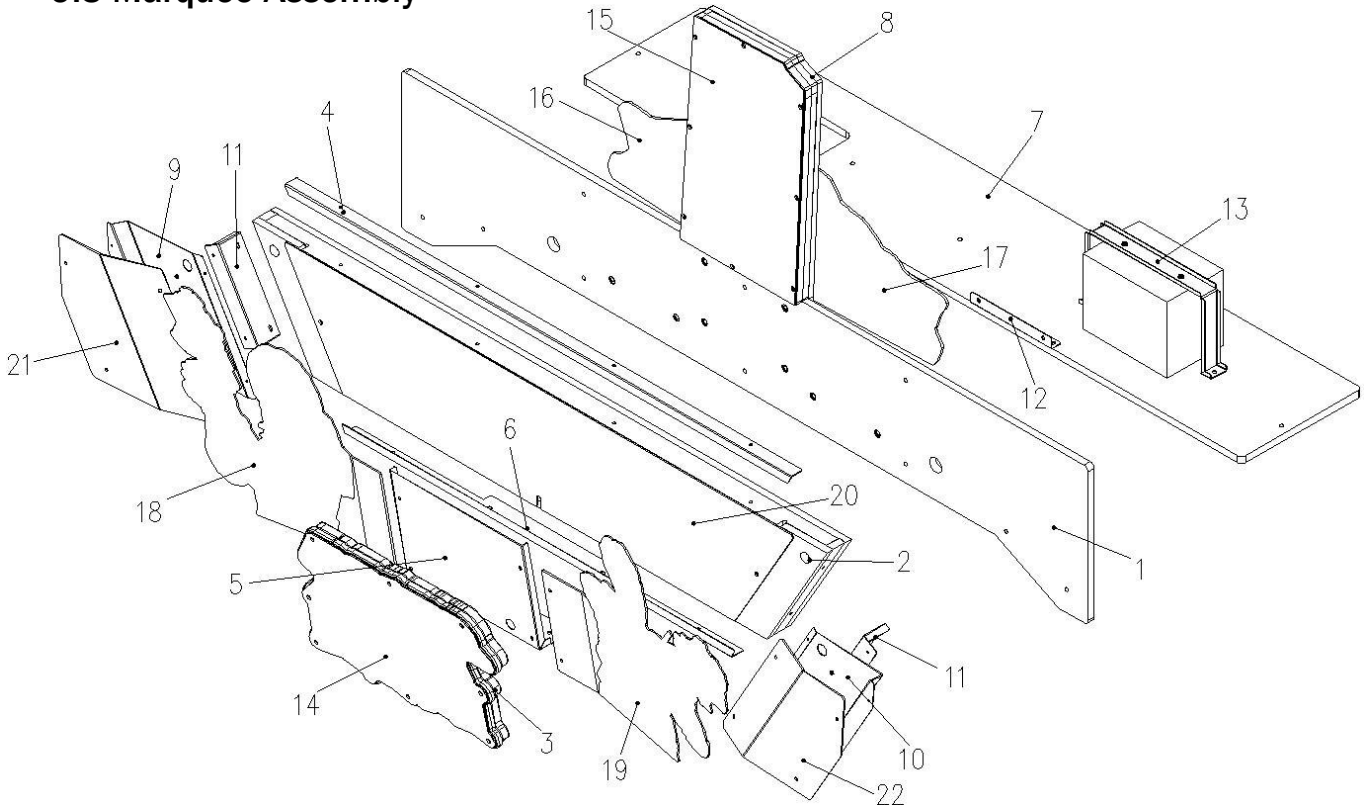
No.	Part No.	Code No.	Name	Version	Qty
1	E112-1024-00	203.4.2011.014	Pedal wooden board	V1.1	1
2	E112-1027-00	202.4.2011.285	Pedal AL plate	V1.1	1
3	E112-1028-00	206.4.2011.097	Pedal light plastic	V1.1	1
4	E112-1029-00	202.4.2011.286	Pedal light plastic pressing plate	V1.1	1

9.2.3 Stair Assembly



No.	Part No.	Code No.	Name	Version	Qty
1	E112-1064-00	203.4.2106.054	Stair bottom board	V1.1	1
2	E112-1065-00	203.4.2106.055	Stair base board	V1.1	1
3	E112-1066-00	206.4.2106.027	Long light plastic	V1.1	1
4	E112-1067-00	202.4.2106.124	Stair AL L plate	V1.1	1
5	E112-1068-00	202.4.2106.125	Fixing plate	V1.1	1
6	E112-1069-00	206.4.2106.028	Light plastic	V1.1	2
7	E112-1070-00	202.4.2106.126	Stair AL R plate	V1.1	1

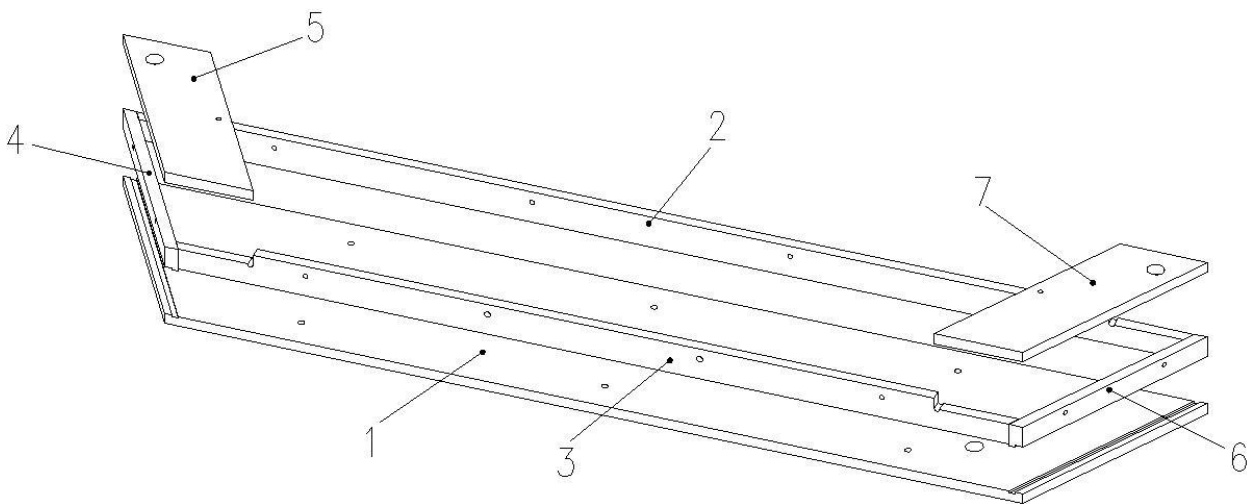
9.3 Marquee Assembly



No.	Part No.	Code No.	Name	Version	Qty
1	E112-1103-00	203.4.2106.038	Back upper board	V1.1	1
2	E112-1104-00	299.4.2106.016	Marquee wooden assembly	V1.1	1
3	E112-1113-00	299.4.2106.017	LOGO assembly	V1.1	1
4	E112-1122-00	202.4.2106.114	Decal upper plate	V1.1	1
5	E112-1123-00	202.4.2106.115	LOGO supporting plate	V1.1	1
6	E112-1124-00	202.4.2106.116	Decal bottom plate	V1.1	1
7	E112-1125-00	203.4.2106.048	Top upper board	V1.1	1
8	E112-1126-00	299.4.2106.018	Building assembly	V1.1	1
9	E112-1133-00	202.4.2106.117	L side marquee plate	V1.1	1
10	E112-1134-00	202.4.2106.118	R side marquee plate	V1.1	1
11	E112-1135-00	202.4.2106.119	Side marquee mounting plate	V1.1	2
12	E112-1136-00	202.4.2106.131	Marquee plate	V1.1	2
13	E112-1137-00	202.4.2106.132	Speaker plate	V1.1	2

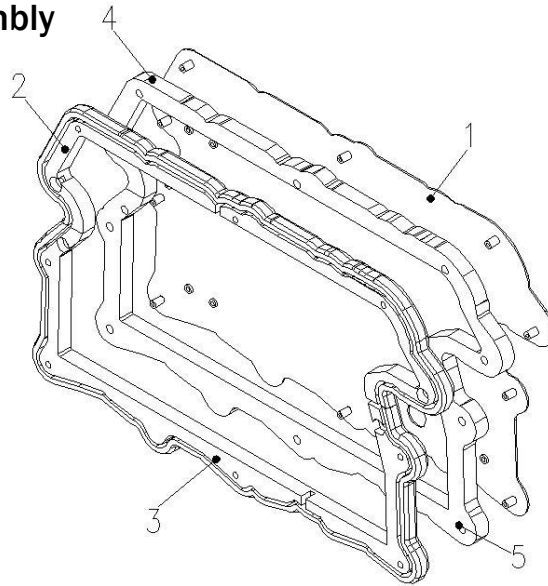
No.	Part No.	Code No.	Name	Version	Qty
14	E112-1138-00	205.4.2107.002	LOGO decal	V1.1	1
15	E112-1139-00	205.4.2107.003	Building decal	V1.1	1
16	E112-1140-00	205.4.2107.004	L fire decal	V1.1	1
17	E112-1141-00	205.4.2107.005	R fire decal	V1.1	1
18	E112-1142-00	205.4.2107.006	Girl decal	V1.1	1
19	E112-1143-00	205.4.2107.007	Boy decal	V1.1	1
20	E112-1144-00	205.4.2107.008	Mid marquee decal	V1.1	1
21	E112-1145-00	205.4.2107.009	L side marquee decal	V1.1	1
22	E112-1146-00	205.4.2107.010	R side marquee decal	V1.1	1

9.3.1 Marquee Wooden Assembly



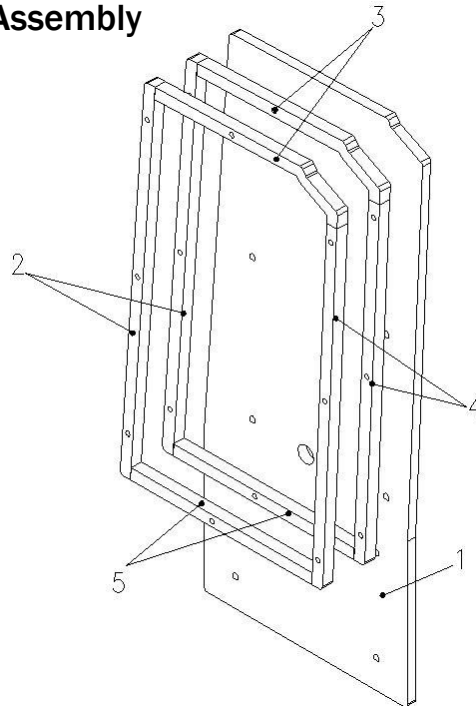
No.	Part No.	Code No.	Name	Version	Qty
1	E112-1105-00	203.4.2106.039	Marquee base board	V1.1	1
2	E112-1106-00	203.4.2106.040	Marquee upper board	V1.1	1
3	E112-1107-00	203.4.2106.041	Marquee bottom board	V1.1	1
4	E112-1109-00	203.4.2106.042	Marquee L side board	V1.1	1
5	E112-1110-00	203.4.2106.043	Marquee L board	V1.1	1
6	E112-1111-00	203.4.2106.044	Marquee R side board	V1.1	1
7	E112-1112-00	203.4.2106.045	Marquee R board	V1.1	1

9.3.2 LOGO Marquee Assembly



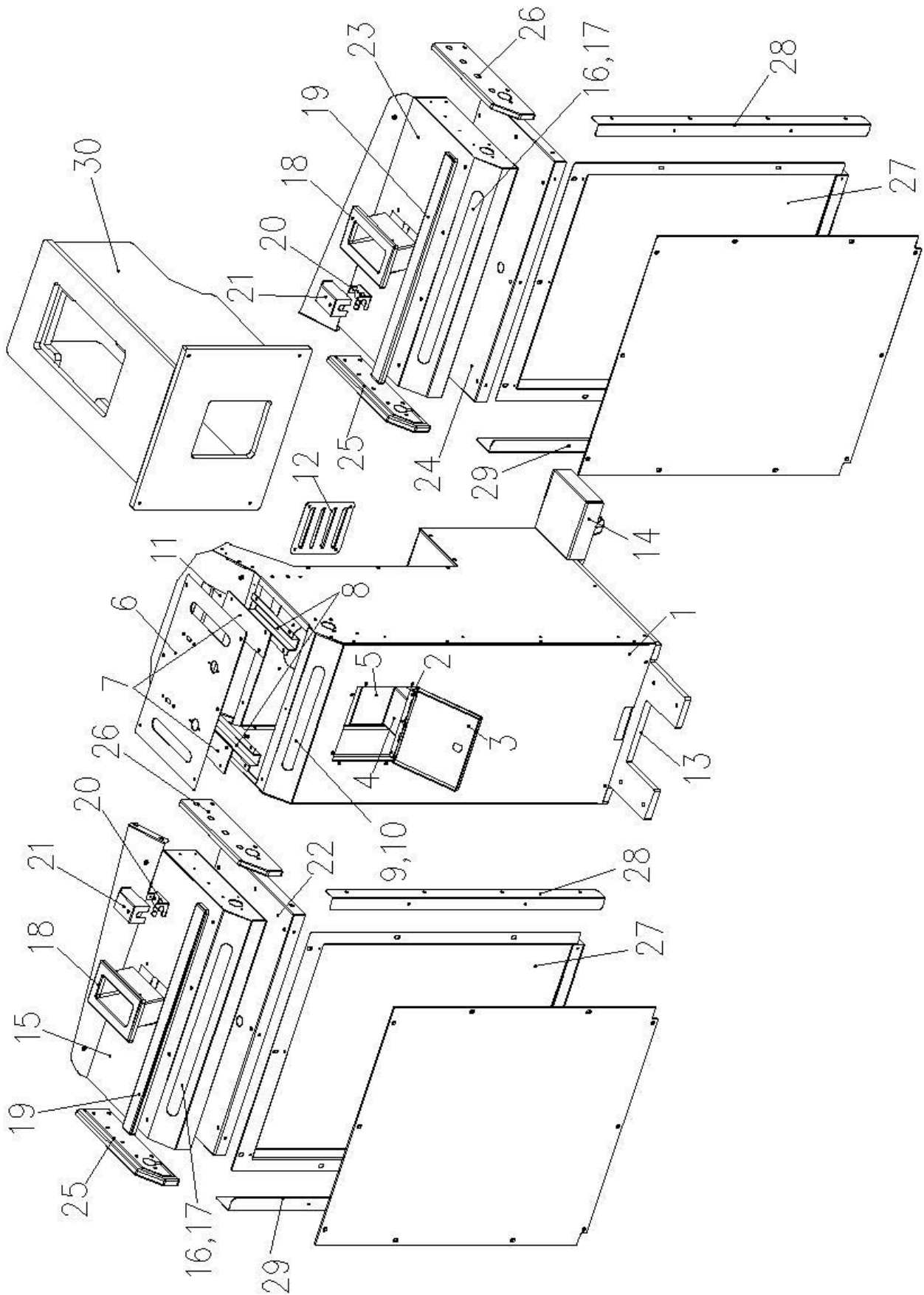
No.	Part No.	Code No.	Name	Version	Qty
1	E112-1114-00	202.4.2106.113	LOGO decal back board	V1.1	1
2	E112-1115-00	206.4.2106.025	LOGO upper plastic	V1.1	1
3	E112-1116-00	206.4.2106.026	LOGO bottom plastic	V1.1	1
4	E112-1117-00	203.4.2106.046	Upper pad board	V1.1	1
5	E112-1118-00	203.4.2106.047	Bottom pad board	V1.1	1

9.3.3 Building Marquee Assembly



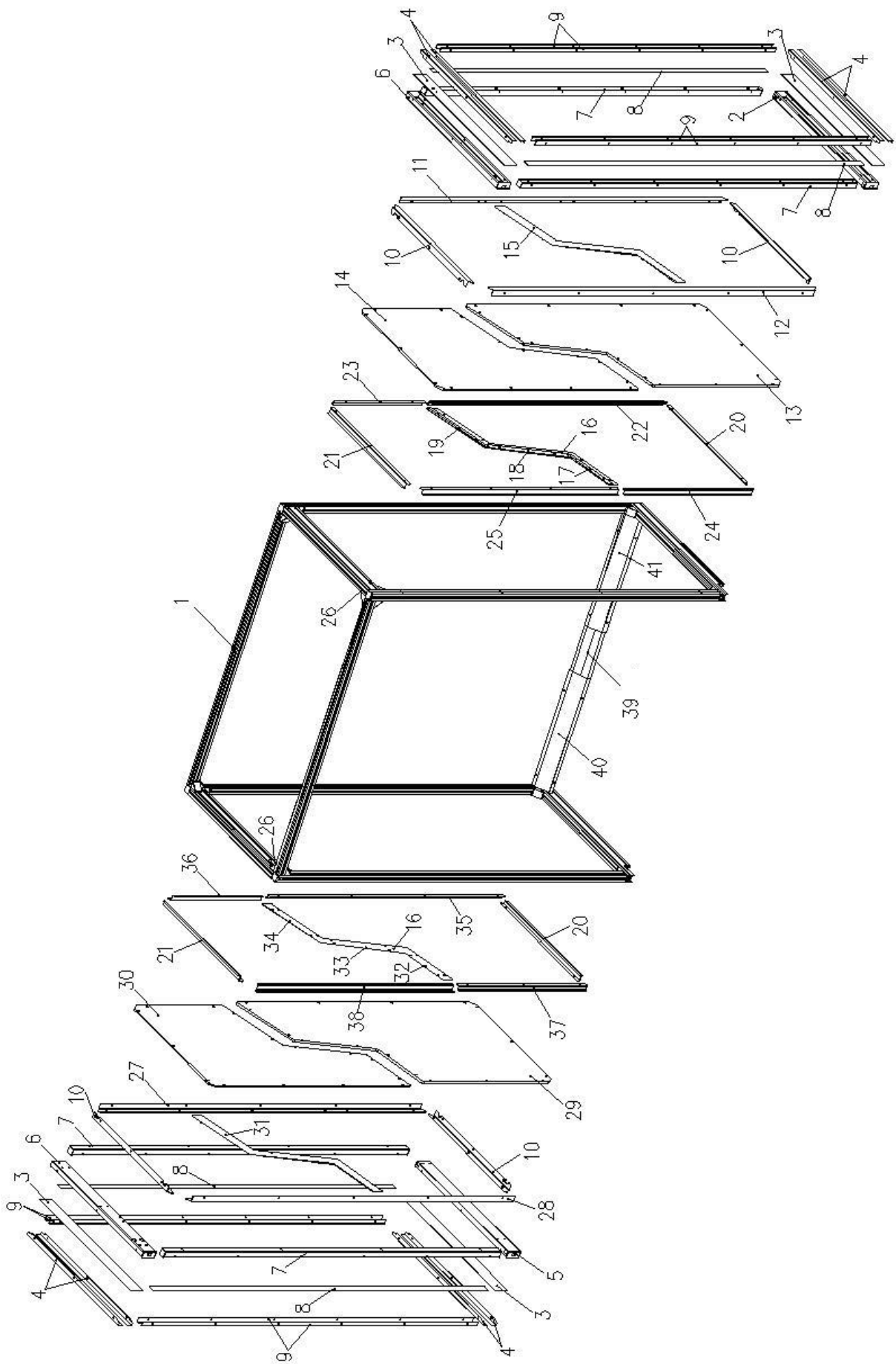
No.	Part No.	Code No.	Name	Version	Qty
1	E112-1127-00	203.4.2106.049	Building back board	V1.1	1
2	E112-1128-00	203.4.2106.050	Building L board	V1.1	2
3	E112-1129-00	203.4.2106.051	Building upper board	V1.1	2
4	E112-1130-00	203.4.2106.052	Building R board	V1.1	2
5	E112-1131-00	203.4.2106.053	Building bottom board	V1.1	2

9.4 Control Panel Assembly



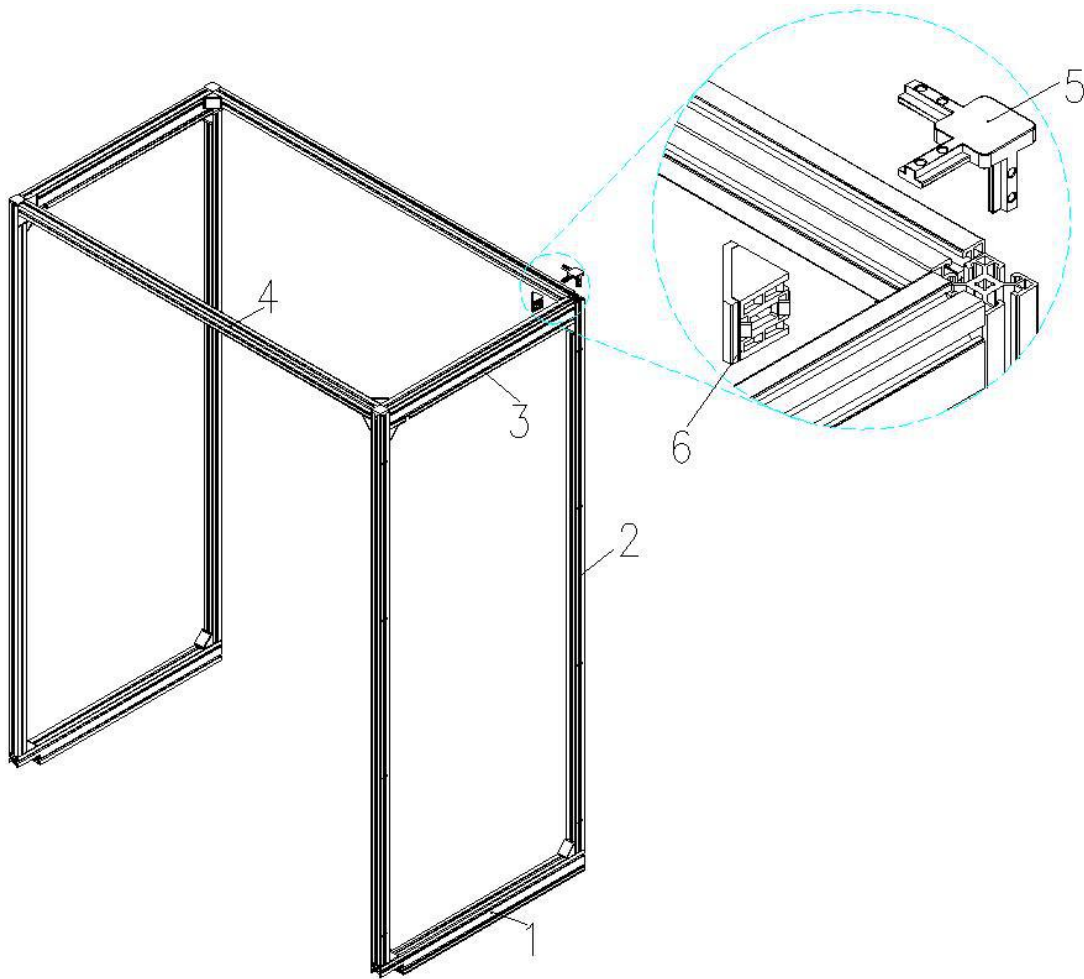
No.	Part No.	Code No.	Name	Version	Qty
1	E112-0902-00	202.4.2106.081	Control panel frame plate	V1.1	1
2	E112-0912-00	202.4.2106.091	Service door chain plate	V1.1	1
3	E112-0913-00	202.4.2106.092	Service door	V1.1	1
4	E112-0914-00	202.4.2106.093	Counter plate	V1.1	1
5	E112-0915-00	2.60.00043000	POT&counter plate	V1.1	1
6	E112-0916-00	202.4.2106.094	Control panel plate	V1.1	1
7	E112-0917-00	206.4.2106.017	Short light plastic	V1.1	2
8	E112-0918-00	202.4.2106.095	Short light plastic plate	V1.1	2
9	E112-0919-00	206.4.2106.018	Control panel long light plastic	V1.1	1
10	E112-0920-00	202.4.2106.096	Control panel long light plastic plate	V1.1	1
11	E112-0921-00	206.4.2106.019	Light strip PVC	V1.1	1
12	E112-0167-00	2.60.00014000	Louver	V1.1	1
13	E112-0922-00	203.4.2106.034	Control panel mounting board	V1.1	1
14	E112-0923-00	202.4.2106.097	Control panel caster mounting plate	V1.1	1
15	E112-0924-00	202.4.2106.098	L gun assembly	V1.1	1
16	E112-0929-00	206.4.2106.020	Extended light plastic	V1.1	2
17	E112-0930-00	202.4.2106.103	Extended light plastic plate	V1.1	2
18	E112-0931-00	206.4.2106.021	Gunstock	V1.1	2
19	E112-0933-00	206.4.2106.022	Protective pad PU	V1.1	2
20	E112-0935-00	202.4.2106.106	Tube fixing bracket	V1.1	2
21	E112-0936-00	202.4.2106.107	Supporting bracket outer cover plate	V1.1	2
22	E112-0937-00	202.4.2106.108	Gun base plate L	V1.1	1
23	E112-0938-00	202.4.2106.109	R gun assembly	V1.1	1
24	E112-0940-00	202.4.2106.111	Gun base plate R	V1.1	1
25	E112-0941-00	206.4.2106.023	Gun side plastic L	V1.1	2
26	E112-0942-00	206.4.2106.024	Gun side plastic R	V1.1	2
27	E112-0947-00	202.4.2106.120	Control panel side marquee plate	V1.1	2
28	E112-0948-00	202.4.2106.121	Control panel side marquee supporting plate	V1.1	2
29	E112-0949-00	202.4.2106.122	Control panel side marquee supporting plate 2	V1.1	2
30	E112-0959-00	203.4.2106.062	Wiring wooden case assembly	V1.1	1

9.5 Mid Cabinet Assembly



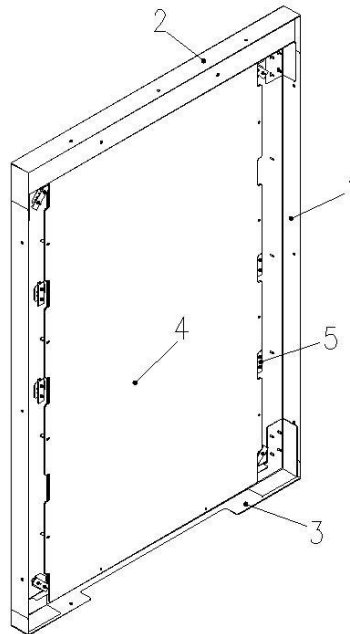
No.	Part No.	Code No.	Name	Version	Qty
1	E112-0702-00	299.4.2106.013	Mid cabinet center frame assembly	V1.1	1
2	E112-0713-00	202.4.2106.056	Side plate bottom marquee plate R	V1.1	1
3	E112-0714-00	206.4.2106.007	Side plate light plastic(h)	V1.1	4
4	E112-0715-00	202.4.2106.057	Side plate light plastic(h) pressing plate	V1.1	8
5	E112-0716-00	202.4.2106.058	Side plate bottom marquee plate L	V1.1	1
6	E112-0717-00	202.4.2106.059	Side plate upper marquee plate	V1.1	2
7	E112-0718-00	202.4.2106.060	Side plate marquee(V)	V1.1	4
8	E112-0719-00	206.4.2106.008	Side plate light plastic(V)	V1.1	4
9	E112-0720-00	202.4.2106.061	Side plate light plastic(V) pressing plate	V1.1	8
10	E112-0721-00	202.4.2106.062	Side plate UP&Down block plate	V1.1	4
11	E112-0722-00	202.4.2106.063	Side plate R front block plate	V1.1	1
12	E112-0723-00	202.4.2106.064	Side plate R back block plate	V1.1	1
13	E112-0724-00	203.4.2106.032	Side plate R board	V1.1	1
14	E112-0725-00	206.4.2106.009	Side plate R caving plastic	V1.1	1
15	E112-0726-00	202.4.2106.065	Side mid pressing plate 01	V1.1	1
16	E112-0727-00	202.4.2106.066	Side mid pressing plate 02	V1.1	2
17	E112-0728-00	206.4.2106.010	Foam 01	V1.1	1
18	E112-0729-00	206.4.2106.011	Foam 02	V1.1	1
19	E112-0730-00	206.4.2106.012	Foam 03	V1.1	1
20	E112-0731-00	202.4.2106.067	Side plate bottom pressing plate(h)	V1.1	2
21	E112-0732-00	202.4.2106.068	Side plate upper pressing plate(h)	V1.1	2
22	E112-0733-00	202.4.2106.069	Side plate R front bottom pressing plate(v)	V1.1	1
23	E112-0734-00	202.4.2106.070	Side plate R front upper pressing plate(v)	V1.1	1
24	E112-0735-00	202.4.2106.071	Side plate R back bottom pressing plate(v)	V1.1	1
25	E112-0736-00	202.4.2106.072	Side plate R back upper pressing plate(v)	V1.1	1
26	E112-0737-00	202.4.2106.073	Wiring cover upper plate	V1.1	2
27	E112-0738-00	202.4.2106.074	Side plate L front block plate	V1.1	1
28	E112-0739-00	202.4.2106.075	Side plate L back block plate	V1.1	1
29	E112-0740-00	203.4.2106.033	Side plate L board	V1.1	1
30	E112-0741-00	206.4.2106.013	Side plate L caving plastic	V1.1	1
31	E112-0742-00	202.4.2106.076	Side mid pressing plate 03	V1.1	1
32	E112-0743-00	206.4.2106.014	Foam 04	V1.1	1
33	E112-0744-00	206.4.2106.015	Foam 05	V1.1	1
34	E112-0745-00	206.4.2106.016	Foam 06	V1.1	1
35	E112-0746-00	202.4.2106.077	Side plate L front bottom pressing plate(v)	V1.1	1
36	E112-0747-00	202.4.2106.078	Side plate L front upper pressing plate(v)	V1.1	1
37	E112-0748-00	202.4.2106.079	Side plate L back bottom pressing plate(v)	V1.1	1
38	E112-0749-00	202.4.2106.080	Side plate L back upper pressing plate(v)	V1.1	1
39	E112-0757-00	202.4.2106.127	Front bottom beam	V1.1	1
	E112-0760-00	2.55.01.000003	2" caster	V1.1	2
40	E112-0758-00	202.4.2106.128	Front bottom beam cover plate L	V1.1	1
41	E112-0759-00	202.4.2106.129	Front bottom beam cover plate R	V1.1	1

9.5.1 Mid Cabinet Center Frame Assembly



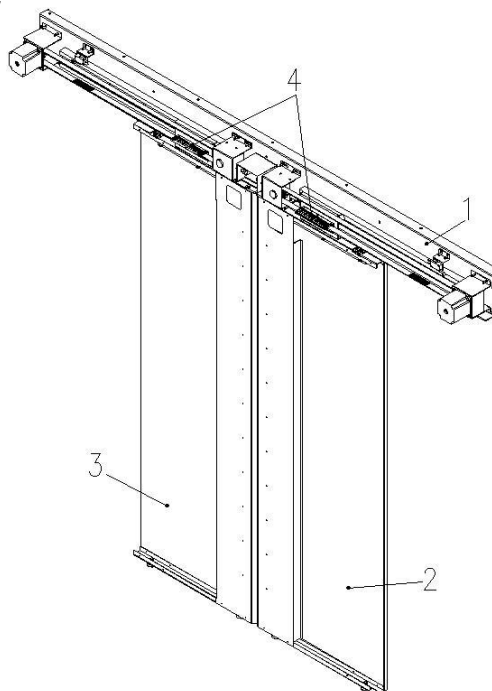
No.	Part No.	Code No.	Name	Version	Qty
1	E112-0703-00	202.4.2106.052	Side frame bottom beam	V1.1	2
2	E112-0704-00	202.4.2106.053	Side frame plate column	V1.1	4
3	E112-0705-00	202.4.2106.054	Side frame upper beam	V1.1	2
4	E112-0706-00	202.4.2106.055	Frame upper beam	V1.1	2
5	E112-0707-00	2.51.00.020044	3D connective plate	V1.1	4
6	E112-0708-00	2.51.00.110012	Angle plate	V1.1	16

9.6 Sensor Frame Assembly



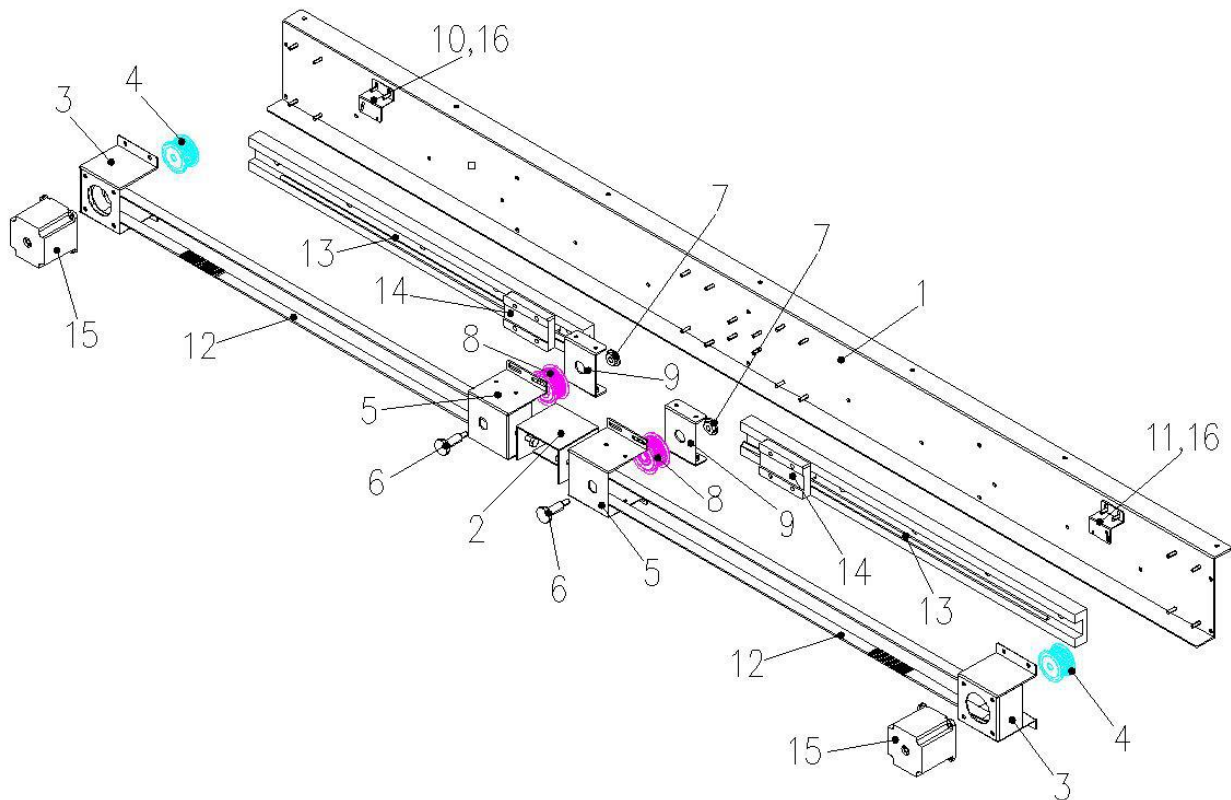
No.	Part No.	Code No.	Name	Version	Qty
1	E112-0402-00	202.4.2106.043	Sensor frame side plate	V1.1	2
2	E112-0403-00	202.4.2106.044	Sensor frame upper plate	V1.1	1
3	E112-0404-00	202.4.2106.045	Sensor frame bottom plate	V1.1	1
4	E112-0405-00	206.4.2106.003	Monitor plastic	V1.1	1
5	E112-0406-00	2.15.04.000017	Gun sensor set	V1.1	1

9.7 Elevator Door Assembly



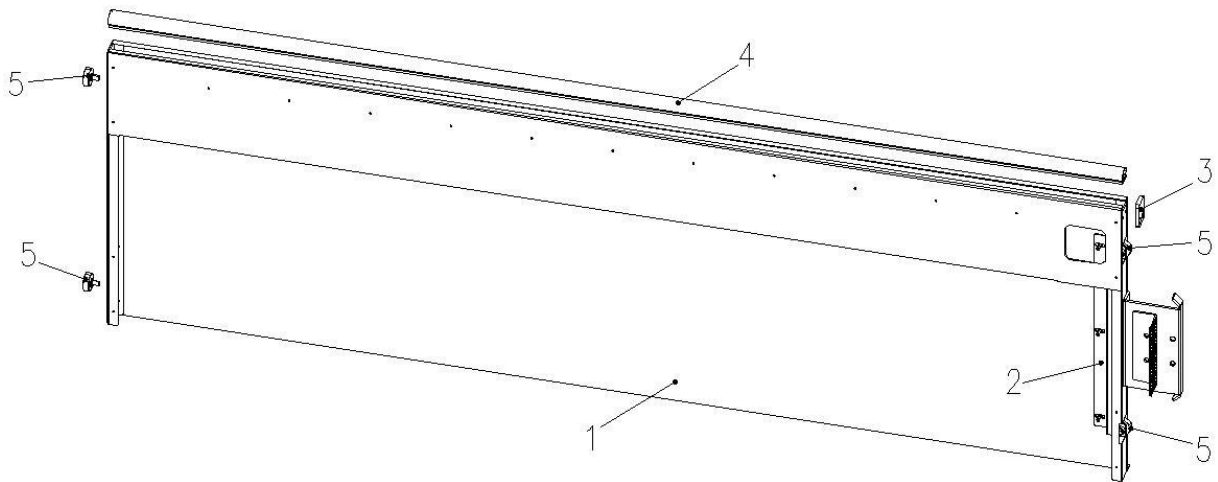
No.	Part No.	Code No.	Name	Version	Qty
1	E112-0302-00	299.4.2106.004	Rail assembly	V1.1	1
2	E112-0328-00	299.4.2106.005	L door assembly	V1.1	1
3	E112-0343-00	299.4.2106.006	R door assembly	V1.1	1
4	E112-0347-00	202.4.2106.042	Synchronous belt pressing plate	V1.1	2

9.7.1 Rail Assembly



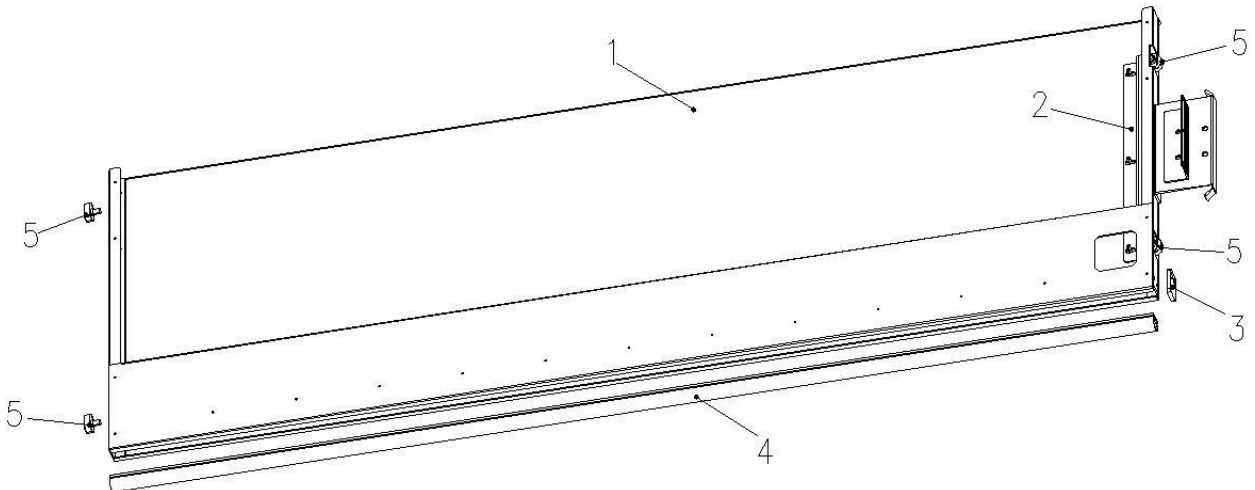
No.	Part No.	Code No.	Name	Version	Qty
1	E112-0303-00	202.4.2106.019	Rail base plate	V1.1	1
2	E112-0304-00	202.4.2106.020	Adjust plate	V1.1	1
3	E112-0305-00	202.4.2106.021	Motor plate	V1.1	2
4	E112-0306-00	202.4.2106.022	Driving wheel	V1.1	2
5	E112-0307-00	202.4.2106.023	Idler mounting plate	V1.1	2
6	E112-0308-00	202.4.2106.024	Idler axle	V1.1	2
7	E112-0309-00	202.4.2106.025	Idler axle sleeve	V1.1	2
8	E112-0310-00	202.4.2106.026	Idler	V1.1	2
9	E112-0311-00	202.4.2106.027	Idler plate	V1.1	2
10	E112-0312-00	202.4.2106.028	SW plate L	V1.1	1
11	E112-0313-00	202.4.2106.029	SW plate R	V1.1	1
12	E112-0314-00	2.65.07.000013	Synchronous belt	V1.1	2
13	E112-0315-00	2.51.05.020017	Rail	V1.1	2
14	E112-0316-00	2.51.05.030004	Sliding block	V1.1	2
15	E112-0317-00	2.34.06.000031	Stepping motor	V1.1	2
16	E112-0318-00	2.26.04.000007	Mirco SW	V1.1	2

9.7.2 L Door Assembly



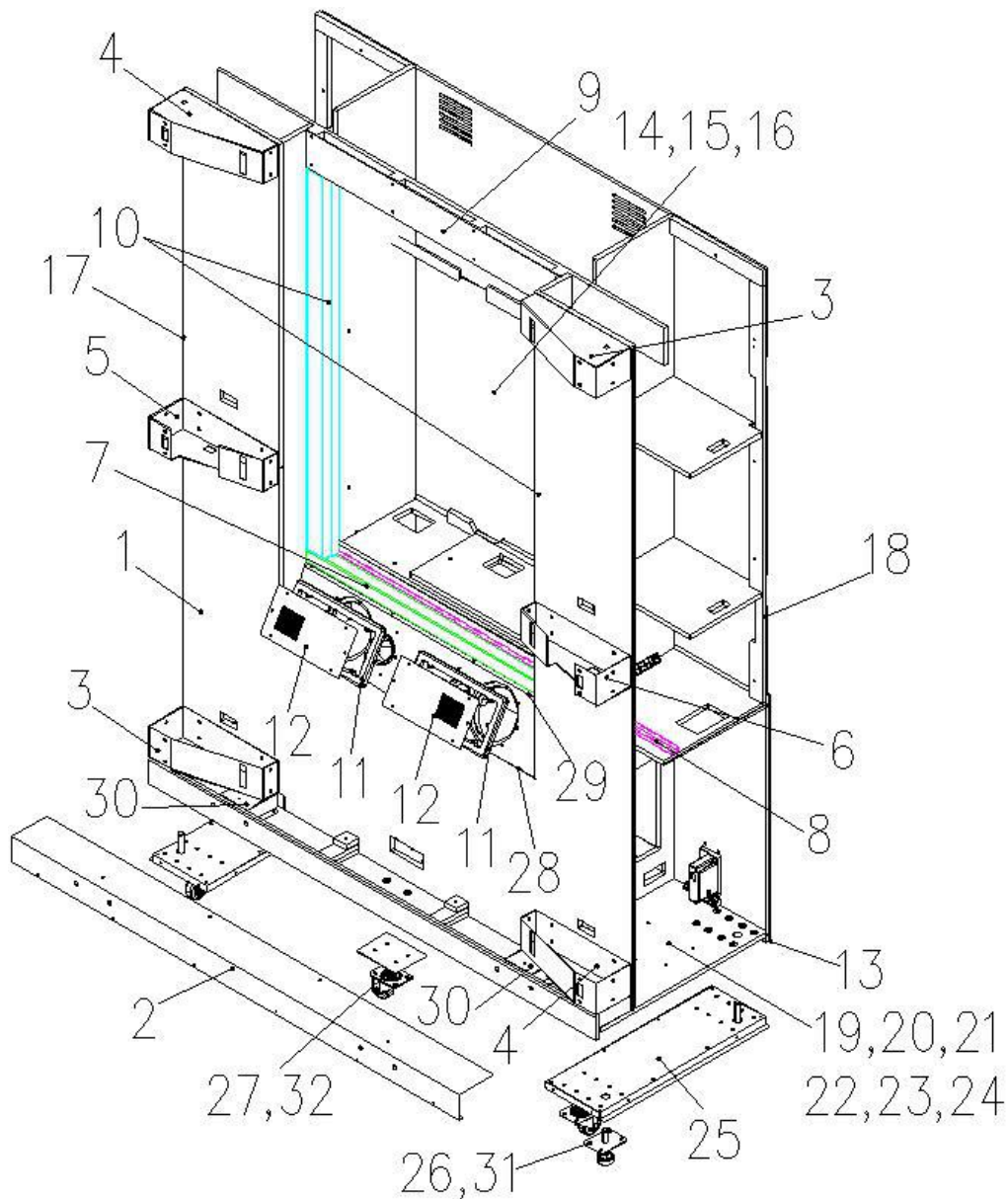
No.	Part No.	Code No.	Name	Version	Qty
1	E112-0329-00	202.4.2106.030	L door	V1.1	1
2	E112-0337-00	202.4.2106.038	Wheel mounting plate	V1.1	1
3	E112-0338-00	206.4.2106.002	Block POM	V1.1	1
4	E112-0339-00	2.51.07.020008	Sealing strip	V1.1	51.18in(1300mm)
5	E112-0340-00	201.06.10.0139	Bearing wheel	V1.1	4

9.7.3 R Door Assembly



No.	Part No.	Code No.	Name	Version	Qty
1	E112-0344-00	202.4.2106.039	R door	V1.1	1
2	E112-0337-00	202.4.2106.038	Wheel mounting plate	V1.1	1
3	E112-0338-00	206.4.2106.002	Block POM	V1.1	1
4	E112-0339-00	2.51.07.020008	Sealing strip	V1.1	51.18in(1300mm)
5	E112-0340-00	201.06.10.0139	Bearing wheel	V1.1	4

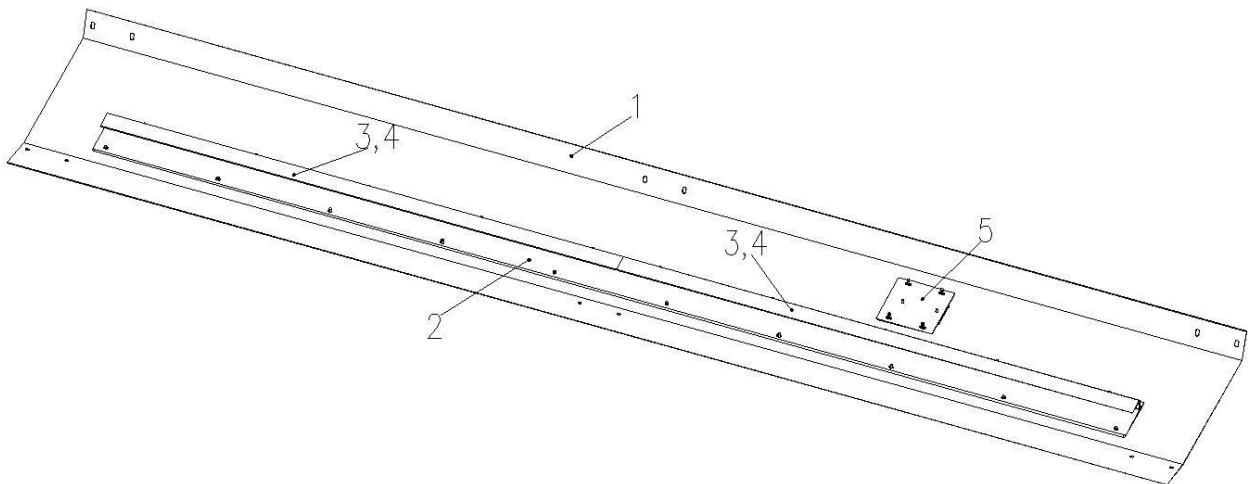
9.8 Back Cabinet Assembly



No.	Part No.	Code No.	Name	Version	Qty
1	E112-0102-00	299.4.2106.002	Back cabinet wooden assembly	V1.1	1
2	E112-0151-00	202.4.2106.007	Front bottom cover plate	V1.1	1
3	E112-0152-00	202.4.2106.008	L side plate	V1.1	2
4	E112-0153-00	202.4.2106.009	R side plate	V1.1	2
5	E112-0154-00	202.4.2106.010	Mid L side plate	V1.1	1
6	E112-0155-00	202.4.2106.011	Mid R side plate	V1.1	1
7	E112-0156-00	202.4.2106.012	Bottom rail	V1.1	1
8	E112-0157-00	202.4.2106.013	Limit rail plate	V1.1	2
9	E112-0158-00	202.4.2106.014	Limit top frame plate	V1.1	1
10	E112-0159-00	202.4.2106.015	Limit side frame plate	V1.1	2
11	E112-0160-00	206.4.2106.001	Speaker light plastic	V1.1	2
12	E112-0161-00	202.4.2106.016	Speaker net	V1.1	2

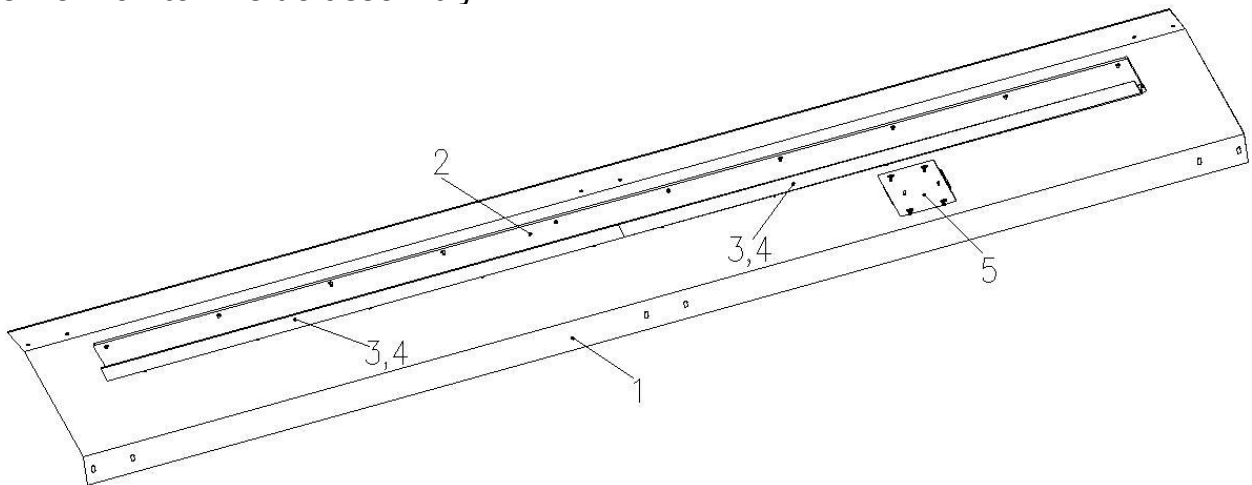
No.	Part No.	Code No.	Name	Version	Qty
13	E112-0162-00	202.4.2106.017	Back moulding plate	V1.1	1
14	E112-0163-00	202.4.2106.018	Monitor plate	V1.1	2
15	E112-0164-00	206.4.1917.004	Monitor horizontal foam	V1.1	2
16	E112-0165-00	206.4.1917.005	Monitor vertical foam	V1.1	2
17	E112-0166-00	2.51.02.000098	Handle	V1.1	2
18	E112-0167-00	2.60.00014000	Louver	V1.1	2
19	E112-0168-00	2.60.00001000D	Power supply plate	V1.1	1
20	E112-0169-00	202.1.1901.120	Adapter fixing plate	V1.1	1
21	E112-0170-00	2.60.00064000	Recovery stick fixing plate	V1.1	1
22	E112-0171-00	2.60.00055000	Dongle fixing plate	V1.1	1
23	E112-0172-00	2.60.00042001B	Wiring box	V1.1	1
24	E112-0173-00	2.60.00042002B	Wiring box cover	V1.1	1
25	E112-0140-00	202.4.2106.001	Base strengthen plate	V1.1	2
26	E112-0141-00	202.4.2106.002	Brace bracket	V1.1	4
27	E112-0142-00	202.4.2106.003	Brace pad plate	V1.1	2
28	E112-0143-00	202.4.2106.004	Back cabinet front strengthen board 1	V1.1	2
29	E112-0144-00	202.4.2106.005	Back cabinet front strengthen board 2	V1.1	2
30	E112-0145-00	202.4.2106.006	Front plate	V1.1	2
31	E112-0146-00	2.60.00008000	Cabinet leveller	V1.1	4
32	E112-0147-00	2.55.01.000047	2.5" caster	V1.1	6

9.9 Monitor L side assembly



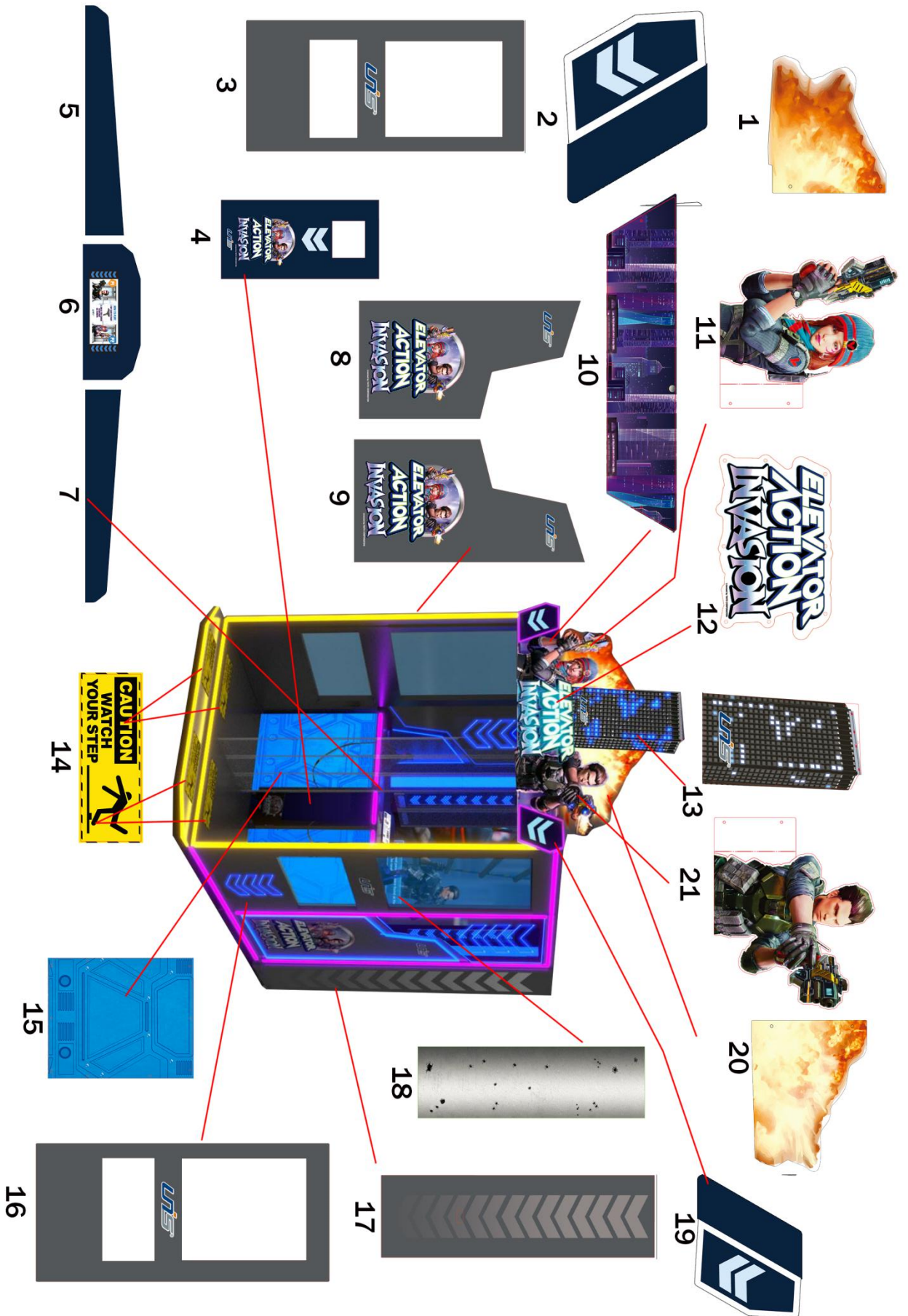
No.	Part No.	Code No.	Name	Version	Qty
1	E112-0502-00	202.4.2106.046	L side cover plate	V1.1	1
2	E112-0503-00	206.4.2106.004	Side light plastic	V1.1	1
3	E112-0504-00	202.4.2106.047	Light plastic fixing plate	V1.1	2
4	E112-0505-00	206.4.2106.005	Fixing foam	V1.1	2
5	E112-0506-00	202.4.2106.048	Arrow light pressing plate	V1.1	1

9.10 Monitor R side assembly

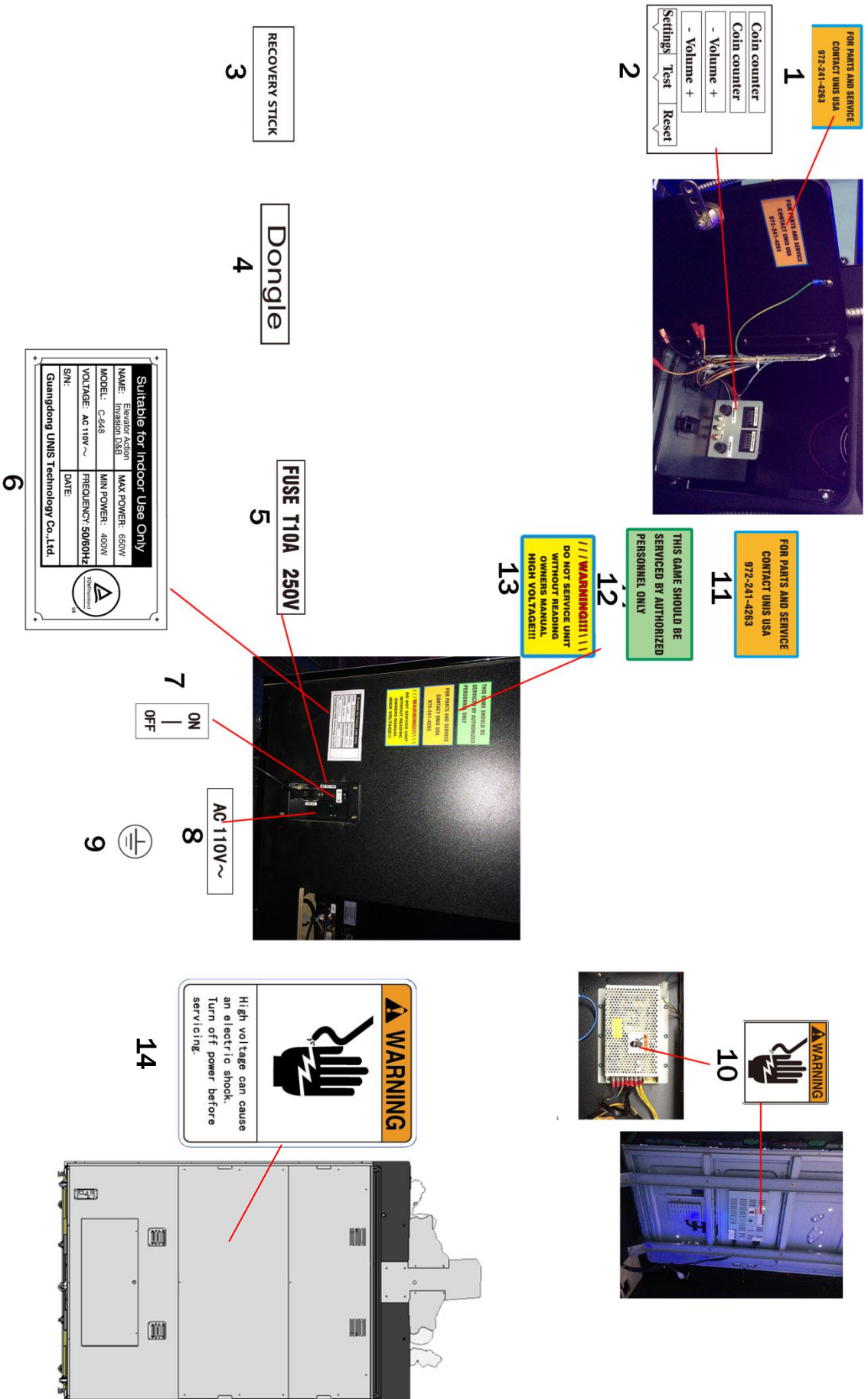


No.	Part No.	Code No.	Name	Version	Qty
1	E112-0602-00	202.4.2106.049	R side cover plate	V1.1	1
2	E112-0503-00	206.4.2106.004	Side light plastic	V1.1	1
3	E112-0504-00	202.4.2106.047	Light plastic fixing plate	V1.1	2
4	E112-0505-00	206.4.2106.005	Fixing foam	V1.1	2
5	E112-0506-00	202.4.2106.048	Arrow light pressing plate	V1.1	1

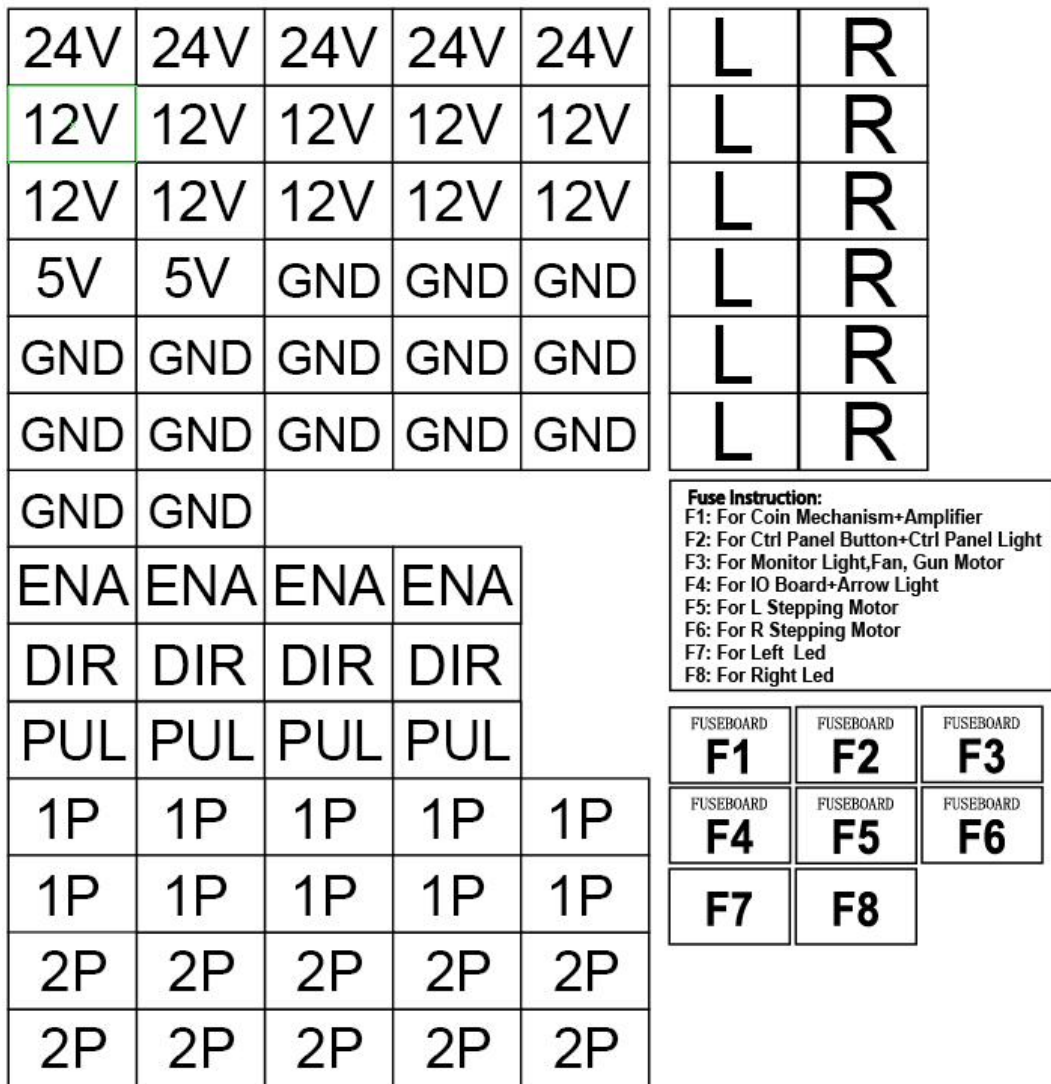
9.11 Decals



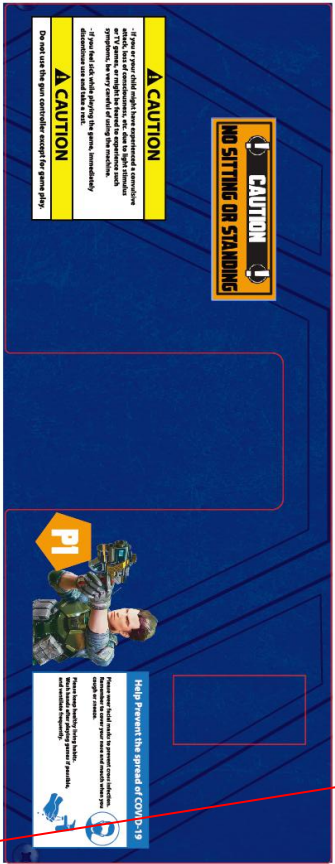
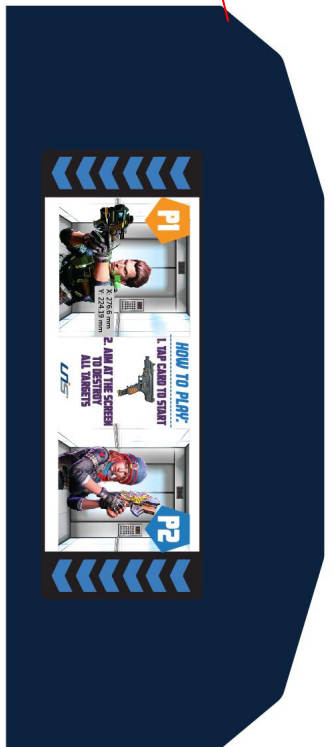
No.	Part No.	Code No.	Name	Version	Qty
1	E112-1140-00	205.4.2107.004	L fire decal	V1.1	1
2	E112-1145-00	205.4.2107.032	L side marquee decal	V1.1	1
3	E112-1207-00	205.4.2107.020	Front cabinet L side decal	V1.1	1
4	E112-1208-00	205.4.2107.021	Control panel front decal	V1.1	1
5	E112-0969-00	205.4.2107.013	L gunstock decal	V1.1	1
6	E112-0968-00	205.4.2107.012	HOW TO PLAY decal	V1.1	1
7	E112-0970-00	205.4.2107.014	R gunstock decal	V1.1	1
8	E112-1210-00	205.4.2107.023	Mid cabinet L side decal	V1.1	1
9	E112-1209-00	205.4.2107.022	Mid cabinet R side decal	V1.1	1
10	E112-1144-00	205.4.2107.008	Mid marquee decal	V1.1	1
11	E112-1142-00	205.4.2107.006	Girl decal	V1.1	1
12	E112-1138-00	205.4.2107.002	LOGO decal	V1.1	1
13	E112-1139-00	205.4.2107.003	Building decal	V1.1	1
14	E112-1213-00	205.4.2107.026	Pedal warning decal	V1.1	4
15	E112-0967-00	205.4.2107.011	Control panel side decal	V1.1	2
16	E112-1206-00	205.4.2107.019	Front cabinet R side decal	V1.1	1
17	E112-1203-00	205.4.2107.016	Back cabinet side decal	V1.1	2
18	E112-1204-00	205.4.2107.017	Elevator door decal	V1.1	2
19	E112-1146-00	205.4.2107.033	R side marquee decal	V1.1	1
20	E112-1141-00	205.4.2107.005	R fire decal	V1.1	1
21	E112-1143-00	205.4.2107.007	Boy decal	V1.1	1



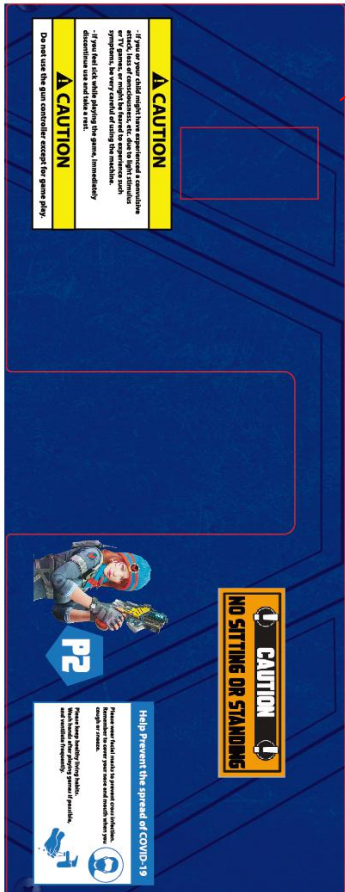
No.	Part No.	Code No.	Name	Version	Qty
1	E112-1226-00	2.56.00.000096A	Maintenance label(S)	V1.1	1
2	E112-1216-00	205.4.2107.029	Counter decal	V1.1	1
3	E112-1225-00	2.56.00.000116	Recovery stick decal	V1.1	1
4	E112-1228-00	2.56.00.000093	Dongle decal	V1.1	1
5	E112-1224-00	2.56.00.000077	Fuse decal	V1.1	1
6	E112-1215-00	205.4.2107.028	110V nameplate(TUV)	V1.1	1
7	E112-1222-00	2.56.00.000016	Power SW decal	V1.1	1
8	E112-1217-00	2.56.00.000071	110V decal	V1.1	1
9	E112-1227-00	2.56.00.000091	GND label	V1.1	1
10	E112-1223-00	2.56.00.000036A	High voltage label(S)	V1.1	2
11	E112-1220-00	2.56.00.000095A	Maintenance label(L)	V1.1	1
12	E112-1218-00	2.56.00.000042A	Maintenance label(Green)	V1.1	1
13	E112-1219-00	2.56.00.000067A	Maintenance label(Yellow)	V1.1	1
14	E112-1221-00	2.56.00.000037/1	High voltage label(L)	V1.1	1



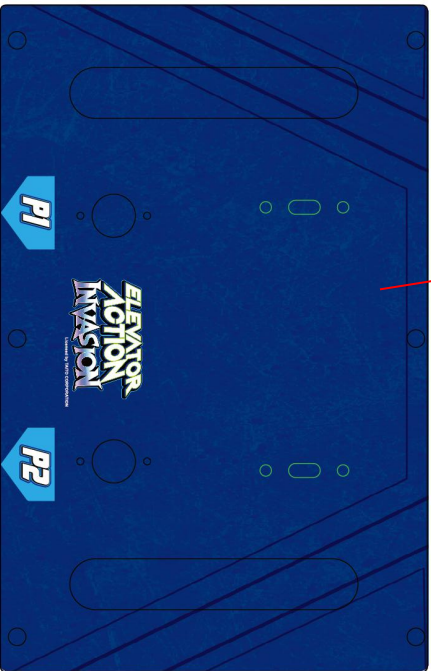
No.	Part No.	Code No.	Name	Version	Qty
1	E112-1205-00	205.4.2107.018	Wiring decal	V1.1	1



1



2

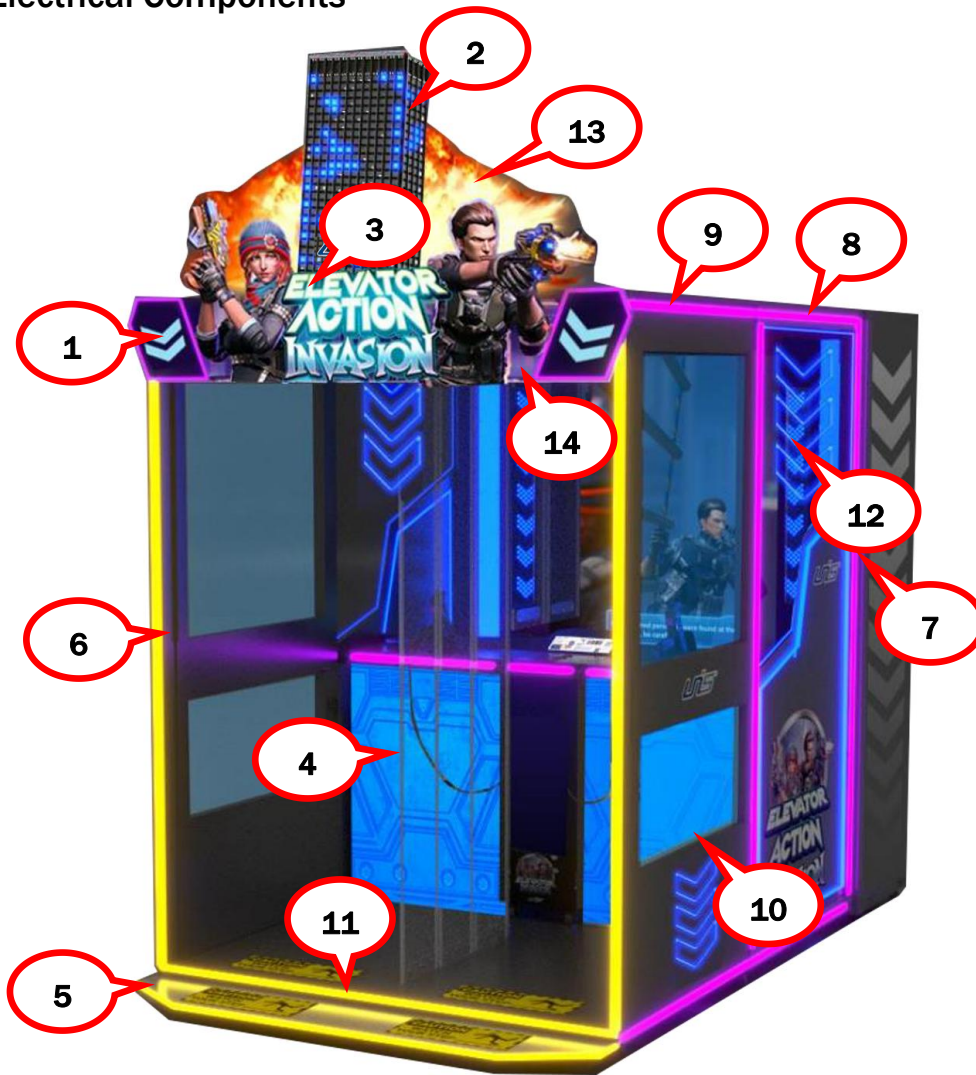


3

4

No.	Part No.	Code No.	Name	Version	Qty
1	E112-1212-00	205.4.2107.025	L gun panel decal	V1.1	1
2	E112-1211-00	205.4.2107.024	R gun panel decal	V1.1	1
3	E112-1202-00	205.4.2107.015	Control panel button decal	V1.1	1
4	E112-0968-00	205.4.2107.012	HOW TO PLAY decal	V1.1	1

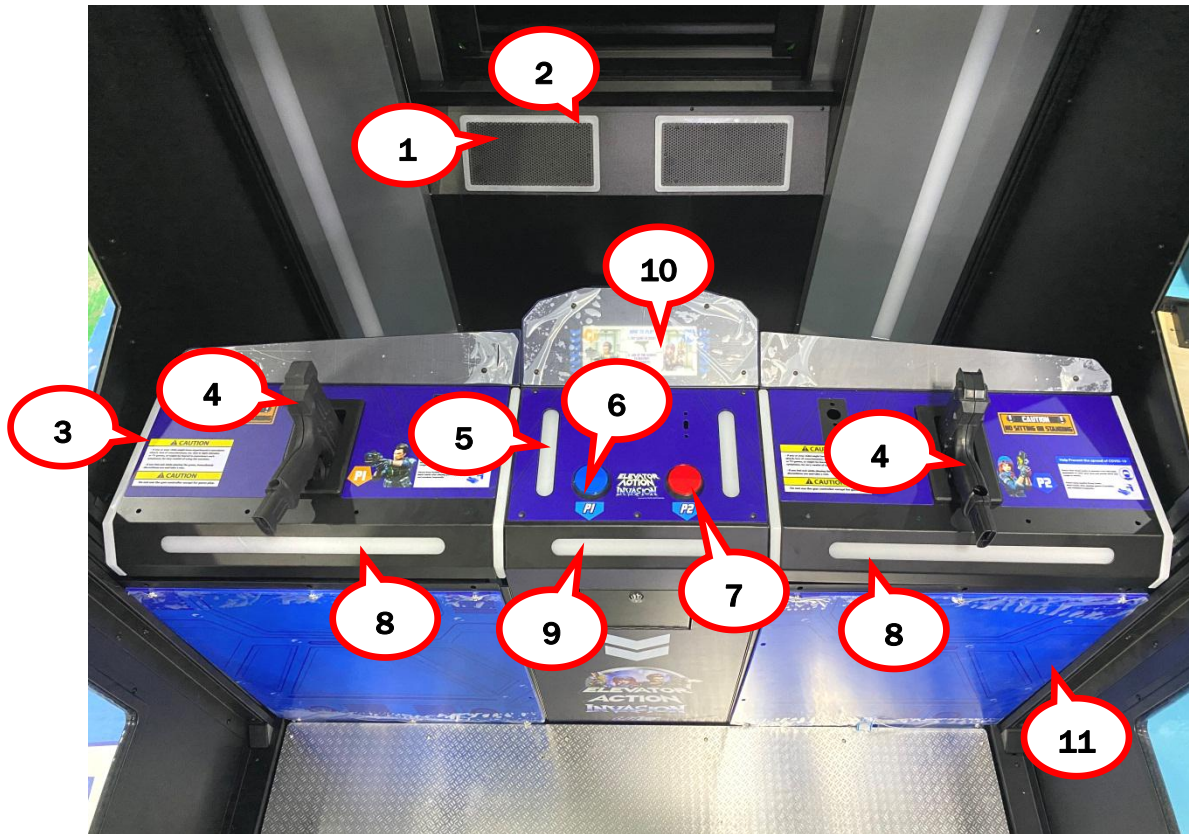
9.12 Electrical Components



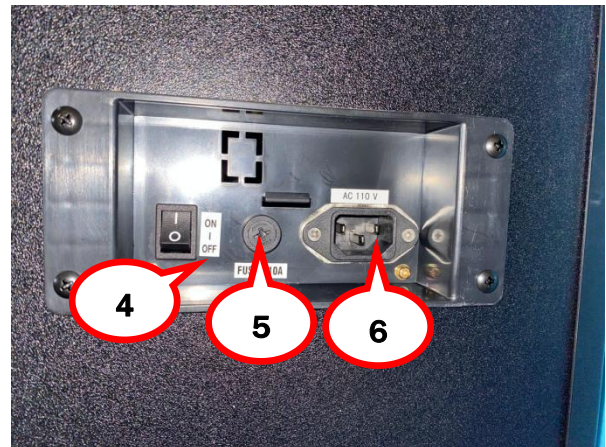
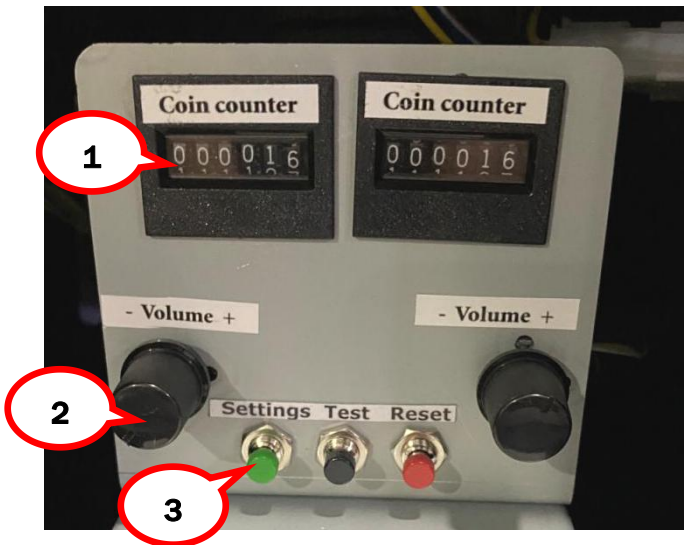
No.	Part No.	Code No.	Name	Version	Qty
1	E112-0954-00	2.20.02.015020	BG5050PR pink light strip	V1.1	34.25 in×2 (870mm×2)
	E112-0955-00	2.20.02.011005	BG2835B blue light strip	V1.1	17.32 in×2 (440mm×2)
2	E112-0955-00	2.20.02.011005	BG2835B blue light strip	V1.1	98.42in (2500mm)
3	E112-0956-00	2.20.02.015019	BG5050W light strip	V1.1	114.17 in (2900mm)
4	E112-0956-00	2.20.02.015019	BG5050W light strip	V1.1	92.51in×2 (2350mm×2)
5	E112-1149-00	2.20.02.011006	BG2835Y yellow light strip	V1.1	72.83in (1850mm)
6	E112-1149-00	2.20.02.011006	BG2835Y yellow light strip	V1.1	82.67in×2 (2100mm×2)
7	E112-1151-00	2.20.02.015021	BG5050RGB light strip	V1.1	76.77in×6 (1950mm×6)
8	E112-1151-00	2.20.02.015021	BG5050RGB light strip	V1.1	33.46in×4 (850mm×4)
9	E112-1151-00	2.20.02.015021	BG5050RGB light strip	V1.1	39.37in×4 (1000mm×4)
10	E112-1151-00	2.20.02.015021	BG5050RGB light strip	V1.1	43.30in×2 (1100mm×2)
11	E112-1149-00	2.20.02.011006	BG2835Y yellow light strip	V1.1	57.08in (1450mm)
12	E112-1151-00	2.20.02.015021	BG5050RGB light strip	V1.1	72.83in×2 (1850mm×2)
13	E112-0956-00	2.20.02.015019	BG5050W light strip	V1.1	27.55in (700mm)
14	E112-0956-00	2.20.02.015019	BG5050W light strip	V1.1	118.11in (3000mm)



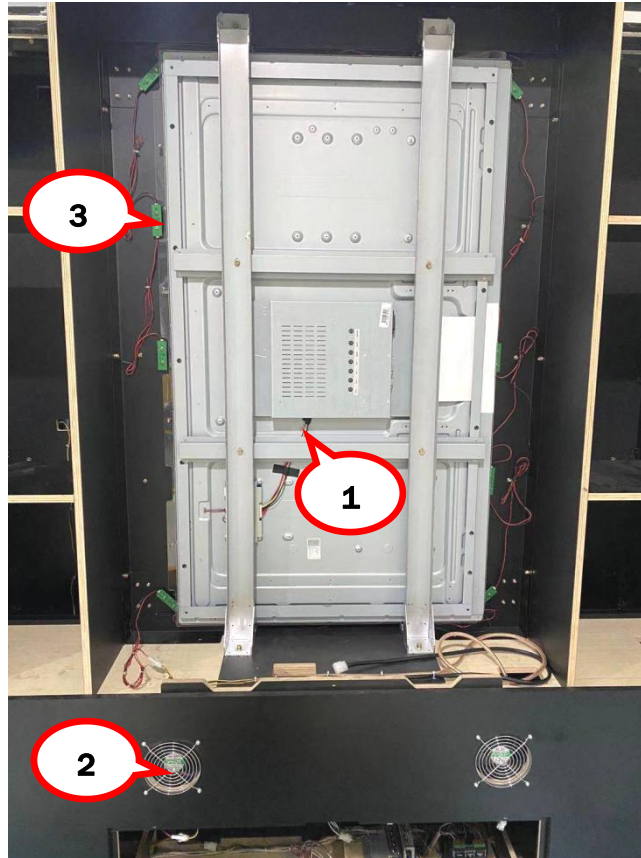
No.	Part No.	Code No.	Name	Version	Qty
1	E112-1148-00	2.28.06.010007	4" speaker	V1.1	2
2	E112-1151-00	2.20.02.015021	BG5050RGB light strip	V1.1	72.83in×2 (1850mm×2)
3	E112-0508-00	2.20.08.000057	Small arrow light	V1.1	2
4	E112-0189-00	2.12.01.000009	55" monitor	V1.1	1
5	E112-1058-00	2.28.01.080002	Shaking speaker	V1.1	2



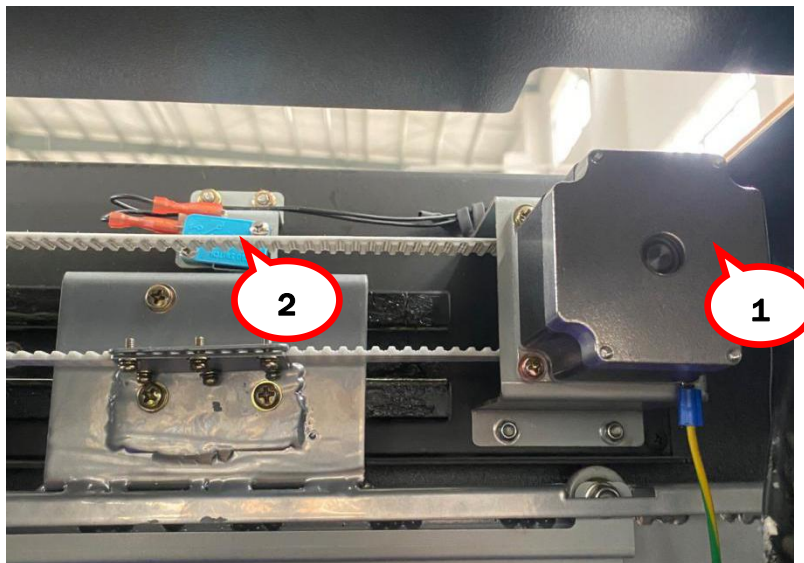
No.	Part No.	Code No.	Name	Version	Qty
1	E112-0203-00	2.28.01.080013	6.5" speaker	V1.1	2
2	E112-0955-00	2.20.02.011005	BG2835B blue light strip	V1.1	35.43in×2 (900mm×2)
3	E112-1149-00	2.20.02.011006	BG2835Y yellow light strip	V1.1	13.78in×4 (350mm×4)
4	E112-0801-00	299.4.2106.010	Gun assembly	V1.1	2
	E112-0844-00	2.20.02.020026	BK5mm120Z light strip		0.23in×2 (6mm×2)
5	E112-0955-00	2.20.02.011005	BG2835B blue light strip	V1.1	5.90in×2 (150mm×2)
6	E112-0953-00	2.24.01.010014	Button with light(blue)	V1.1	1
	E112-0951-00	2.20.03.000018	LED bulb	V1.1	1
	E112-0966-00	2.26.04.000083	Micro SW	V1.1	1
7	E112-0952-00	2.24.01.010013	Button with light(red)	V1.1	1
	E112-0951-00	2.20.03.000018	LED bulb	V1.1	1
	E112-0966-00	2.26.04.000083	Micro SW	V1.1	1
8	E112-0954-00	2.20.02.015020	BG5050PR pink light strip	V1.1	17.71in×2 (450mm×2)
9	E112-0954-00	2.20.02.015020	BG5050PR pink light strip	V1.1	9.84in (250mm)
10	E112-0956-00	2.20.02.015019	BG5050W light strip	V1.1	9.84in (250mm)
11	E112-0956-00	2.20.02.015019	BG5050W light strip	V1.1	2350×2



No.	Part No.	Code No.	Name	Version	Qty
1	E112-0957-00	2.30.00000005	Counter	V1.1	2
2	E112-0946-00	297.9.1400001	POT board	V1.1	2
	E112-0950-00	2.24.03.000001	Knob	V1.1	2
3	E112-0944-00	2.24.02.010002	Button(red)	V1.1	1
	E112-0945-00	2.24.02.030002	Button(green)	V1.1	1
	E112-0958-00	2.24.02.050001	Button(black)	V1.1	1
4	E112-0192-00	2.26.01.000005	Rocket SW	V1.1	1
5	E112-0212-00	2.19.02.000006	Fuse holder	V1.1	1
	E112-0213-00	2.19.01.000012	Fuse	V1.1	1
6	E112-0211-00	2.32.0100001A	Filter	V1.1	1

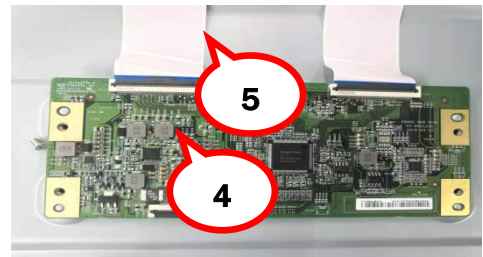
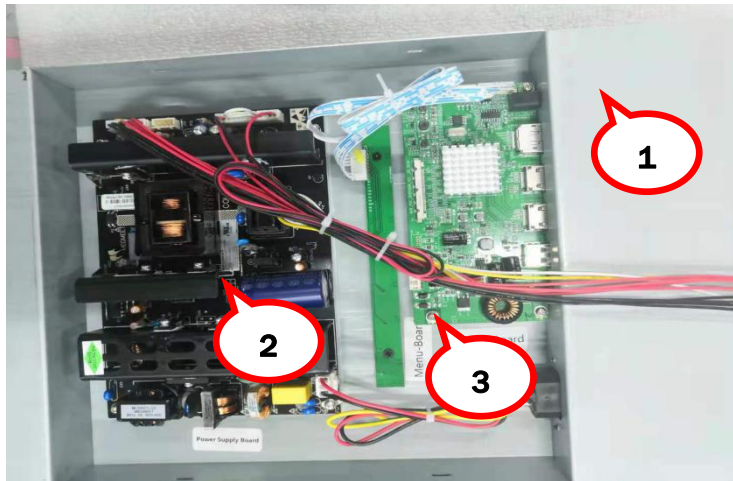


No.	Part No.	Code No.	Name	Version	Qty
1	E112-0197-00	2.33.07.020001D	DVI cable	V1.1	1
2	E112-0209-00	2.27.02.020006	Fan	V1.1	2
	E112-0210-00	2.27.02.000010	Fan net	V1.1	2
3	E112-0406-00	2.15.04.000017	Gun sensor set	V1.1	1

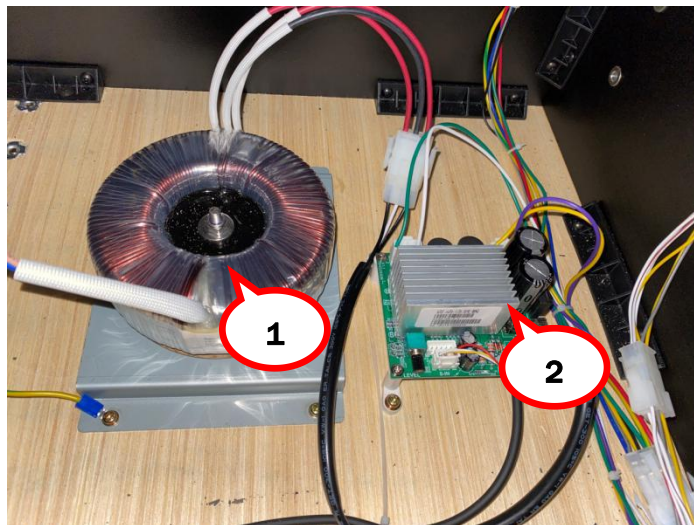


No.	Part No.	Code No.	Name	Version	Qty
1	E112-0317-00	2.34.06.000031	Stepping motor	V1.1	2
2	E112-0318-00	2.26.04.000007	Micro SW	V1.1	2

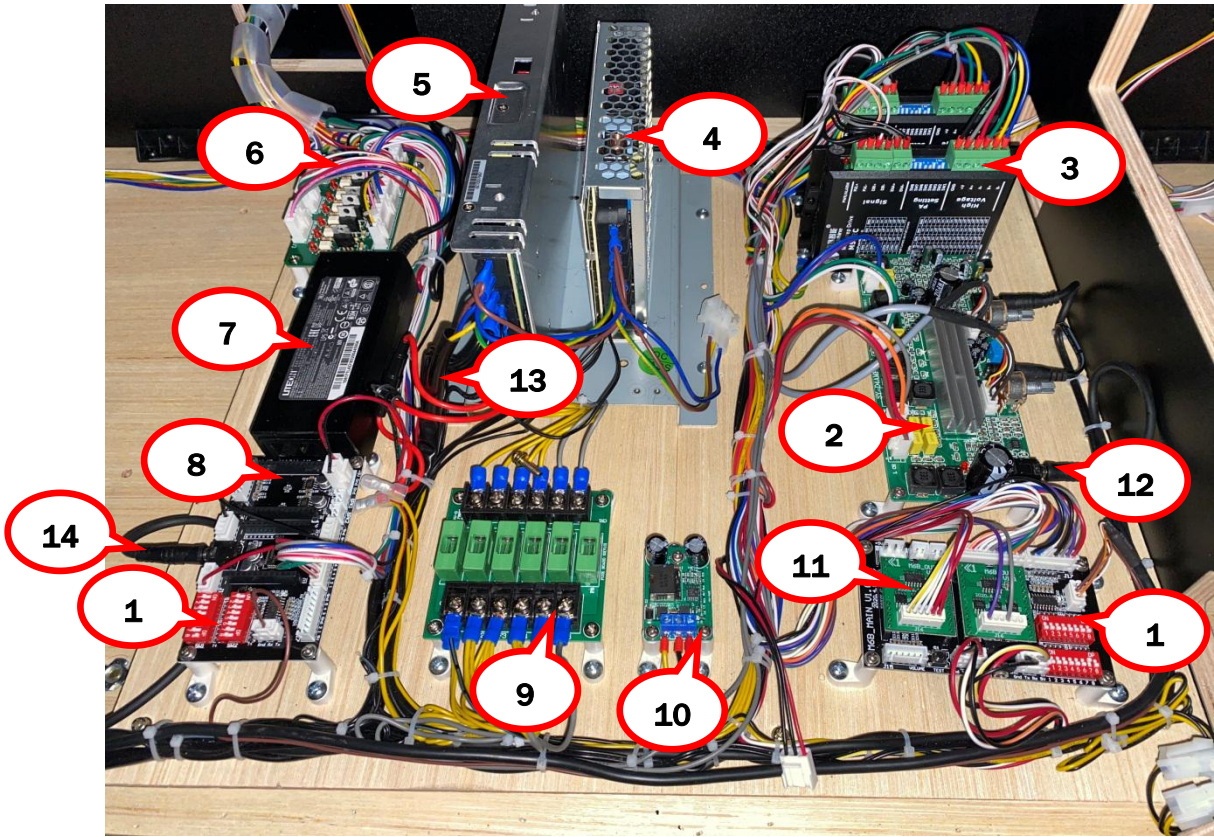
Monitor kit:



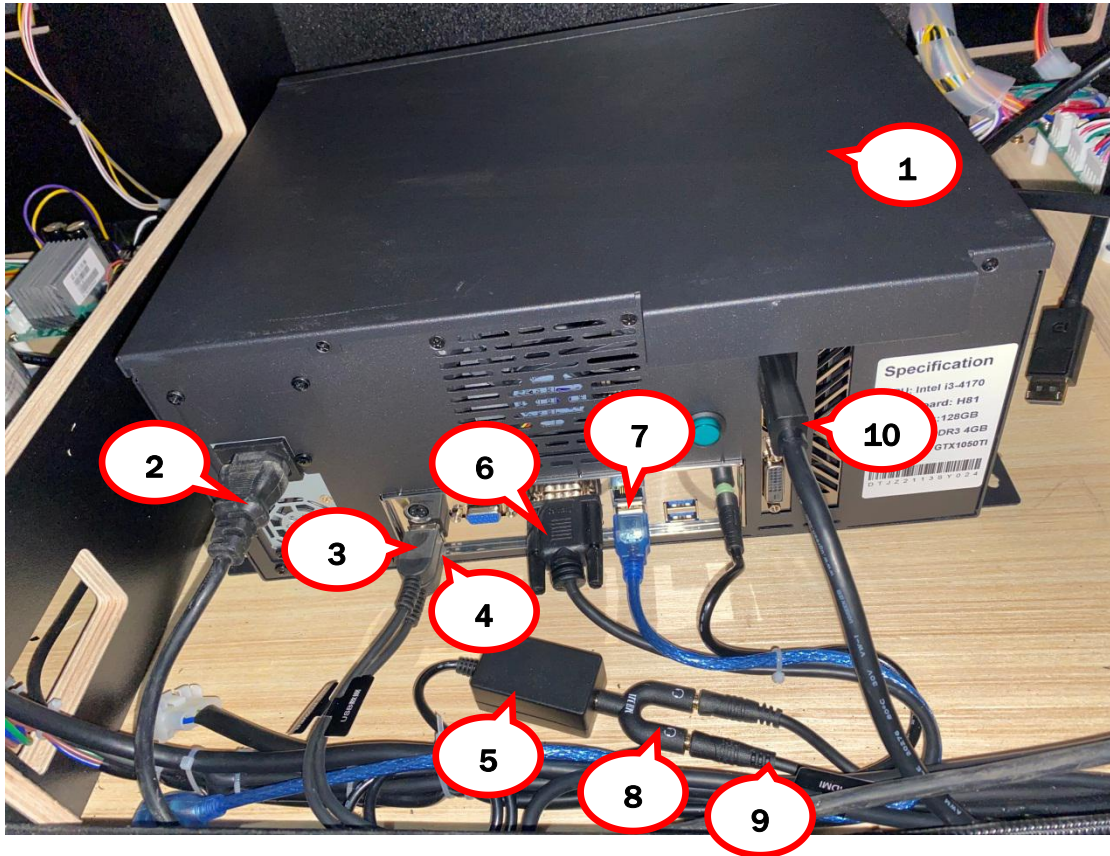
No.	Part No.	Code No.	Name	Version	Qty
1	E112-0223-00	2.12.04.030016	Chassis kit of 55" monitor	V1.1	1
2	E112-0225-00	2.12.04.030018	Power board for Chassis kit	V1.1	1
3	E112-0226-00	2.12.04.030019	4K drive board for Chassis kit	V1.1	1
4	E112-0227-00	2.12.04.030014	Logic board	V1.1	1
5	E112-0224-00	2.12.04.030017	Logic board cable	V1.1	1
6	E112-0222-00	2.12.04.030015	Constant current board	V1.1	1



No.	Part No.	Code No.	Name	Version	Qty
1	E112-0194-00	2.16.01.000127	Transformer	V1.1	1
	E112-0236-00	202.4.2106.112	Transformer mounting plate	V1.1	1
2	E112-0195-00	2.28.03.010016	Shaking amplifier	V1.1	1

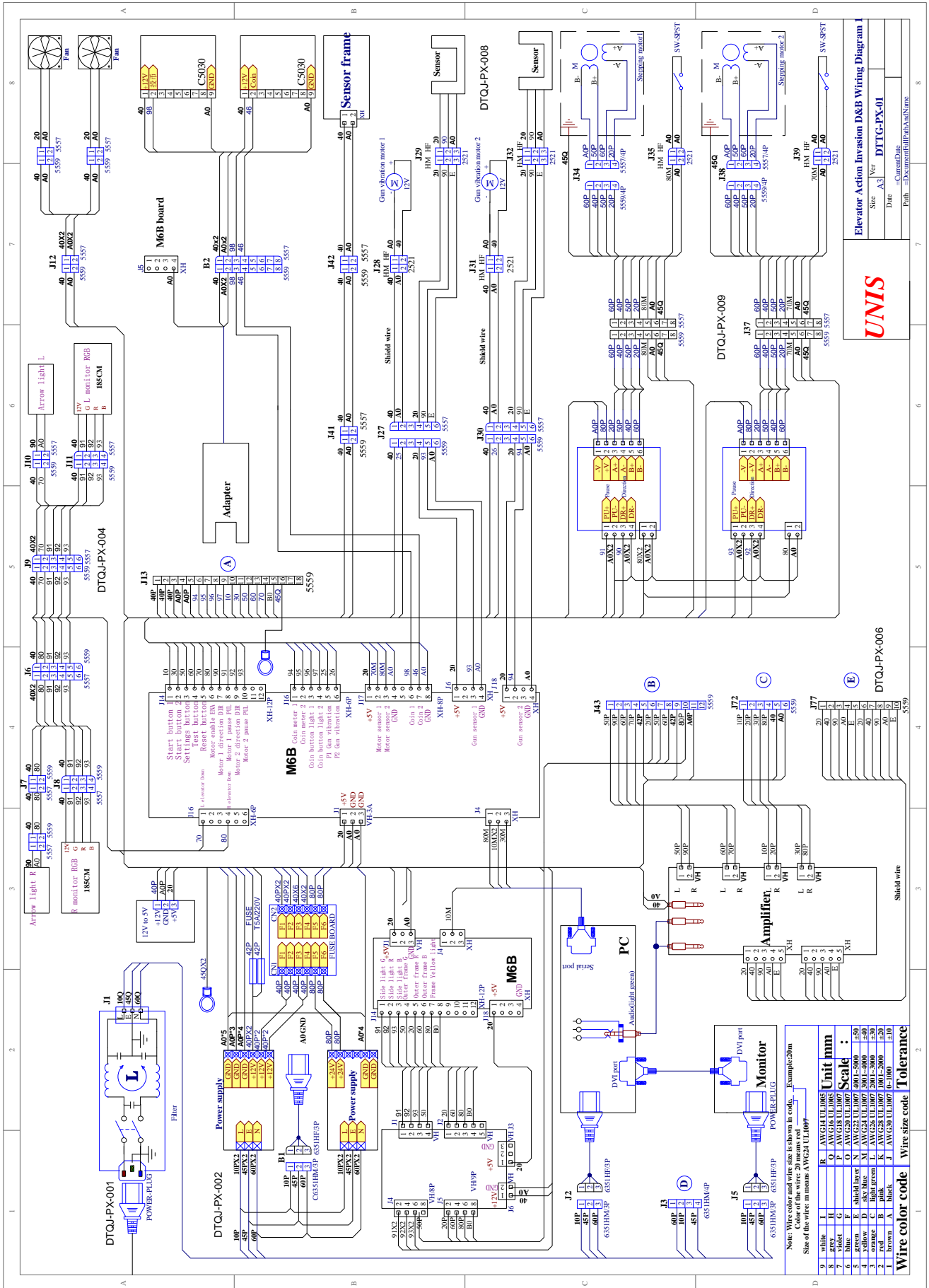


No.	Part No.	Code No.	Name	Version	Qty
1	E112-0187-00	297.9.2011004	M6B board	V1.1	2
2	E112-0207-00	2.28.03.060011	4 channel amplifier	V1.1	1
3	E112-0221-00	2.34.29.000009	Stepping motor driver	V1.1	2
4	E112-0217-00	2.16.02.000121	Power supply(24V)	V1.1	1
5	E112-0216-00	2.16.02.000117	Power supply(12V)	V1.1	1
6	E112-0201-00	297.1.1208002	Drive board	V1.1	1
7	E112-0204-00	2.16.03.020001A	Adapter	V1.1	1
	E112-0191-00	2.33.01.018002	Power cord(0.5m)	V1.1	1
8	E112-0188-00	297.9.0300005	U3 music module	V1.1	2
9	E112-0214-00	2.17.14.000243	Fuse board	V1.1	1
10	E112-0206-00	2.17.12.000015	DC-DC module	V1.1	2
11	E112-0219-00	297.6.2008002	PCB board	V1.1	2
12	E112-0190-00	2.33.01.040051	Power cord(1.15m)	V1.1	1
13	E112-0208-00	2.19.02.000024	Fuse holder	V1.1	2
14	E112-0200-00	2.33.05.000007	Audio cable	V1.1	1

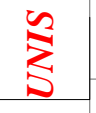


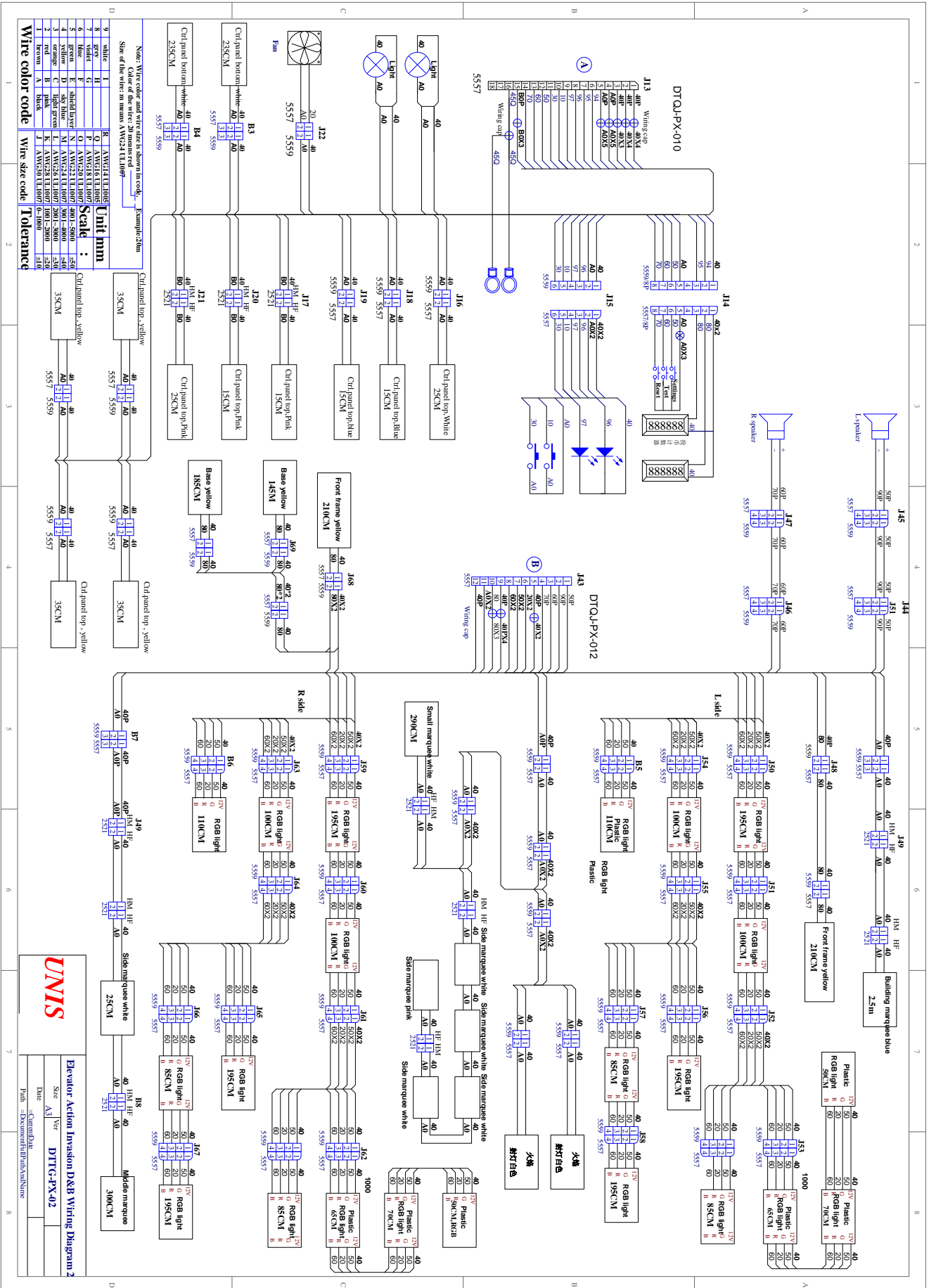
No.	Part No.	Code No.	Name	Version	Qty
1	E112-0220-00	2.11.02.000135	PC	V1.1	1
	E112-0228-00	2.11.07.220014	Mainboard	V1.1	1
	E112-0229-00	2.11.07.190031	CPU	V1.1	1
	E112-0230-00	2.11.07.090031	Memory	V1.1	1
	E112-0231-00	2.11.07.060033	HDD	V1.1	1
	E112-0232-00	2.11.07.030092	Graphics card	V1.1	1
	E112-0233-00	2.11.07.170015	PC power supply	V1.1	1
	E112-0234-00	2.11.07.070010	Fan	V1.1	1
	E112-0235-00	2.11.07.270037	PC case	V1.1	1
2	E112-0191-00	2.33.01.018002	Power cord(0.5m)	V1.1	1
3	E112-0193-00	2.33.04.080010	5m cable	V1.1	1
4	E112-0193-00	2.33.04.080010	5m cable	V1.1	1
5	E112-0199-00	2.28.07.000002	Audio isolator	V1.1	1
6	E112-0205-00	2.33.03.000005	Serial cable	V1.1	1
7	E112-0202-00	2.33.04.000100	Extend cable	V1.1	1
8	E112-0196-00	2.33.05.000024	Audio cable divided connector	V1.1	1
9	E112-0215-00	2.33.05.000004	Audio cable	V1.1	2
10	E112-0198-00	2.33.07.070048	DP cable	V1.1	1

10. WIRING DIAGRAM



Elevator Action Invasion D&B Wiring Diagram 1
Size: Ver DTTC-PX-01
Date: Current Date
Path: DocumentFullPathName





Notes: Wire color and wire size is shown in code. Example: **Example:**
 Size of the wire: 2# Insulated
 Size of the wire: 2# Insulated

Unit mm
 Scale: 1:10

Wire color code

1	white	I
2	black	J
3	red	K
4	green	L
5	yellow	M
6	blue	N
7	purple	O
8	orange	P
9	light green	Q
10	light blue	R
11	brown	S
12	grey	T
13	pink	U
14	tan	V
15	olive	W
16	lavender	X
17	teal	Y
18	mint green	Z
19	light purple	AA
20	light blue	AB
21	light green	AC
22	light yellow	AD
23	light pink	AE
24	light tan	AF
25	light grey	AG
26	light blue	AH
27	light green	AI
28	light yellow	AJ
29	light pink	AK
30	light tan	AL
31	light grey	AM
32	light blue	AN
33	light green	AO
34	light yellow	AP
35	light pink	AQ
36	light tan	AR
37	light grey	AS
38	light blue	AT
39	light green	AU
40	light yellow	AV
41	light pink	AW
42	light tan	AX
43	light grey	AY
44	light blue	AZ
45	light green	BA
46	light yellow	BB
47	light pink	BC
48	light tan	BD
49	light grey	BE
50	light blue	BF
51	light green	BG
52	light yellow	BH
53	light pink	BI
54	light tan	BJ
55	light grey	BK
56	light blue	BL
57	light green	BM
58	light yellow	BN
59	light pink	BO
60	light tan	BP
61	light grey	BQ
62	light blue	BR
63	light green	BS
64	light yellow	BT
65	light pink	BU
66	light tan	BV
67	light grey	BW
68	light blue	BX
69	light green	BY
70	light yellow	BZ
71	light pink	CA
72	light tan	CB
73	light grey	CC
74	light blue	CD
75	light green	CE
76	light yellow	CF
77	light pink	CG
78	light tan	CH
79	light grey	CI
80	light blue	CJ
81	light green	CK
82	light yellow	CL
83	light pink	CM
84	light tan	CN
85	light grey	CO
86	light blue	CP
87	light green	CQ
88	light yellow	CR
89	light pink	CS
90	light tan	CT
91	light grey	CU
92	light blue	CV
93	light green	CW
94	light yellow	CX
95	light pink	CY
96	light tan	CZ
97	light grey	DA
98	light blue	DB
99	light green	DC
100	light yellow	DD
101	light pink	DE
102	light tan	DF
103	light grey	DG
104	light blue	DH
105	light green	DI
106	light yellow	DJ
107	light pink	DK
108	light tan	DL
109	light grey	DM
110	light blue	DN
111	light green	DO
112	light yellow	DP
113	light pink	DQ
114	light tan	DR
115	light grey	DS
116	light blue	DT
117	light green	DU
118	light yellow	DV
119	light pink	DW
120	light tan	DX
121	light grey	DY
122	light blue	DZ
123	light green	EA
124	light yellow	EB
125	light pink	EC
126	light tan	ED
127	light grey	EE
128	light blue	EF
129	light green	EG
130	light yellow	EH
131	light pink	EI
132	light tan	EJ
133	light grey	EK
134	light blue	EL
135	light green	EM
136	light yellow	EN
137	light pink	EO
138	light tan	EP
139	light grey	EQ
140	light blue	ER
141	light green	ES
142	light yellow	ET
143	light pink	EU
144	light tan	EV
145	light grey	EW
146	light blue	EX
147	light green	EY
148	light yellow	EZ
149	light pink	FA
150	light tan	FB
151	light grey	FC
152	light blue	FD
153	light green	FE
154	light yellow	FF
155	light pink	FG
156	light tan	FH
157	light grey	FI
158	light blue	FJ
159	light green	FK
160	light yellow	FL
161	light pink	FM
162	light tan	FN
163	light grey	FO
164	light blue	FP
165	light green	FQ
166	light yellow	FR
167	light pink	FS
168	light tan	FT
169	light grey	FU
170	light blue	FV
171	light green	FW
172	light yellow	FX
173	light pink	FY
174	light tan	FZ
175	light grey	GA
176	light blue	GB
177	light green	GC
178	light yellow	GD
179	light pink	GE
180	light tan	GF
181	light grey	GG
182	light blue	GH
183	light green	GI
184	light yellow	GO
185	light pink	GP
186	light tan	GQ
187	light grey	GR
188	light blue	GS
189	light green	GT
190	light yellow	GU
191	light pink	GV
192	light tan	GW
193	light grey	GX
194	light blue	GY
195	light green	GA
196	light yellow	GB
197	light pink	GC
198	light tan	GD
199	light grey	GE
200	light blue	GF
201	light green	GG
202	light yellow	GH
203	light pink	GI
204	light tan	GJ
205	light grey	GK
206	light blue	GL
207	light green	GM
208	light yellow	GN
209	light pink	GO
210	light tan	GP
211	light grey	GQ
212	light blue	GR
213	light green	GS
214	light yellow	GT
215	light pink	GU
216	light tan	GV
217	light grey	GW
218	light blue	GX
219	light green	GY
220	light yellow	GA
221	light pink	GB
222	light tan	GC
223	light grey	GD
224	light blue	GE
225	light green	GF
226	light yellow	GG
227	light pink	GH
228	light tan	GI
229	light grey	GJ
230	light blue	GK
231	light green	GL
232	light yellow	GM
233	light pink	GN
234	light tan	GO
235	light grey	GP
236	light blue	GQ
237	light green	GR
238	light yellow	GS
239	light pink	GT
240	light tan	GU
241	light grey	GV
242	light blue	GW
243	light green	GX
244	light yellow	GY
245	light pink	GA
246	light tan	GB
247	light grey	GC
248	light blue	GD
249	light green	GE
250	light yellow	GF
251	light pink	GG
252	light tan	GH
253	light grey	GI
254	light blue	GJ
255	light green	GK
256	light yellow	GL
257	light pink	GM
258	light tan	GN
259	light grey	GO
260	light blue	GP
261	light green	GQ
262	light yellow	GR
263	light pink	GS
264	light tan	GT
265	light grey	GU
266	light blue	GV
267	light green	GW
268	light yellow	GX
269	light pink	GY
270	light tan	GA
271	light grey	GB
272	light blue	GC
273	light green	GD
274	light yellow	GE
275	light pink	GF
276	light tan	GG
277	light grey	GH
278	light blue	GI
279	light green	GJ
280	light yellow	GK
281	light pink	GL
282	light tan	GM
283	light grey	GN
284	light blue	GO
285	light green	GP
286	light yellow	GQ
287	light pink	GR
288	light tan	GS
289	light grey	GT
290	light blue	GU
291	light green	GV
292	light yellow	GW
293	light pink	GX
294	light tan	GY
295	light grey	GA
296	light blue	GB
297	light green	GC
298	light yellow	GD
299	light pink	GE
300	light tan	GF

UNIS

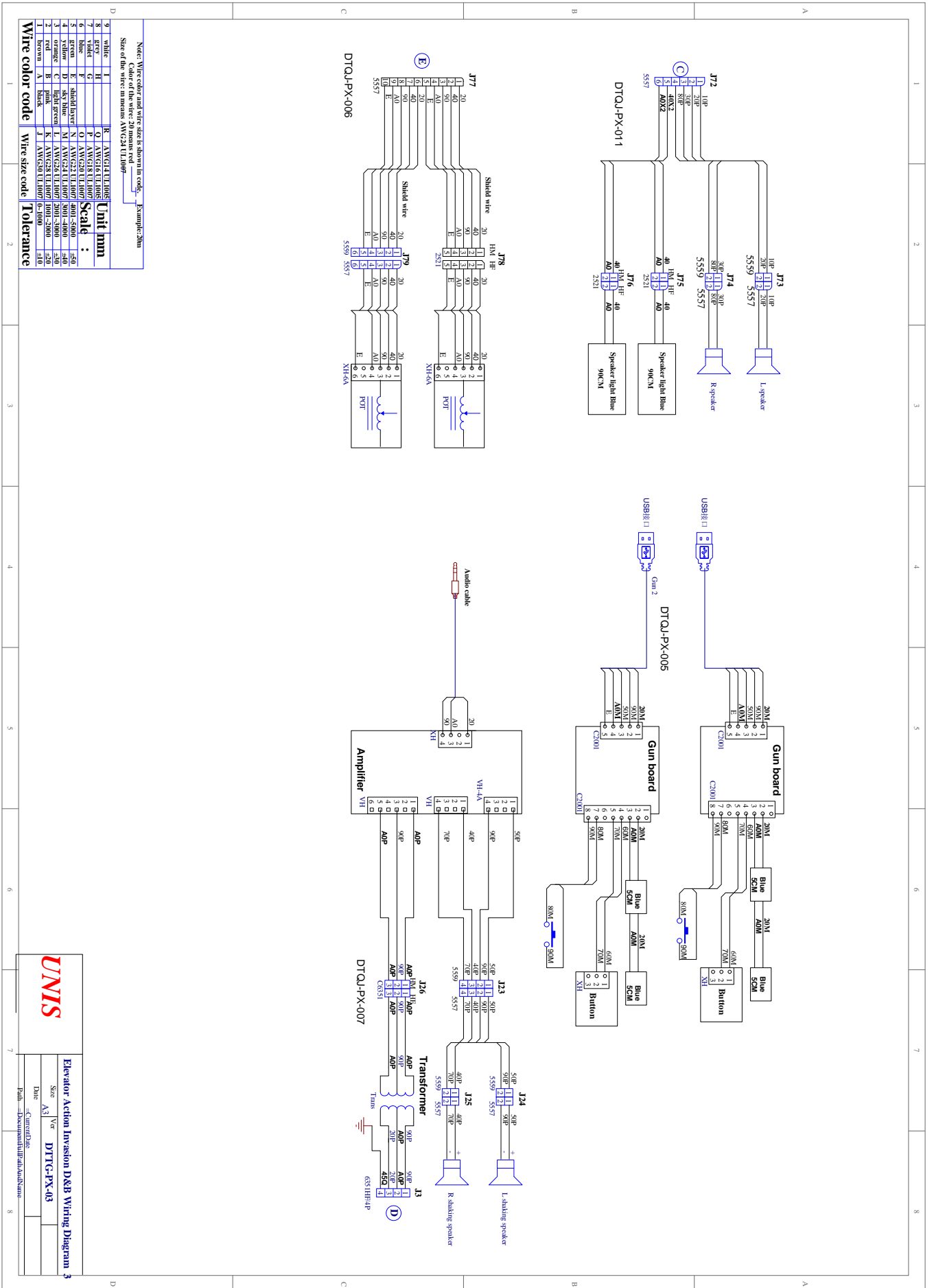
Elevator Action Invasion D&B Wiring Diagram 2

Size: A3 Ver: DTG-PX-02

Date: _____

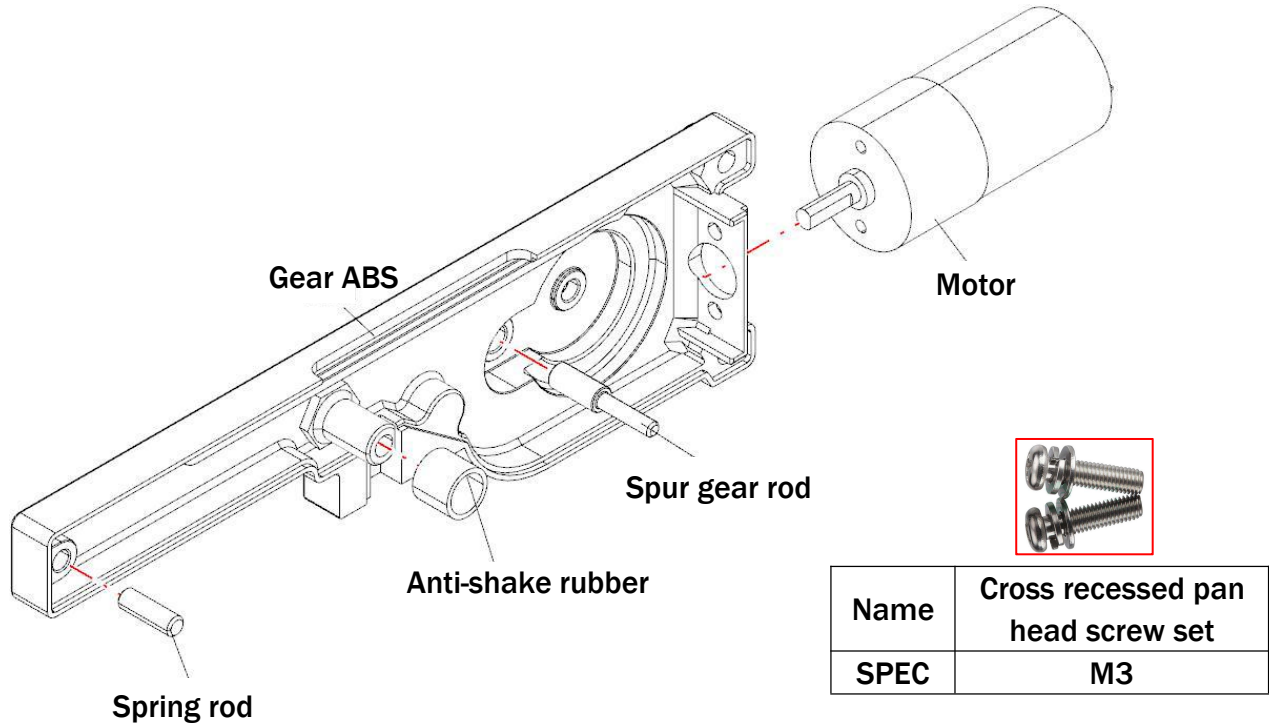
Page: _____

File: _____

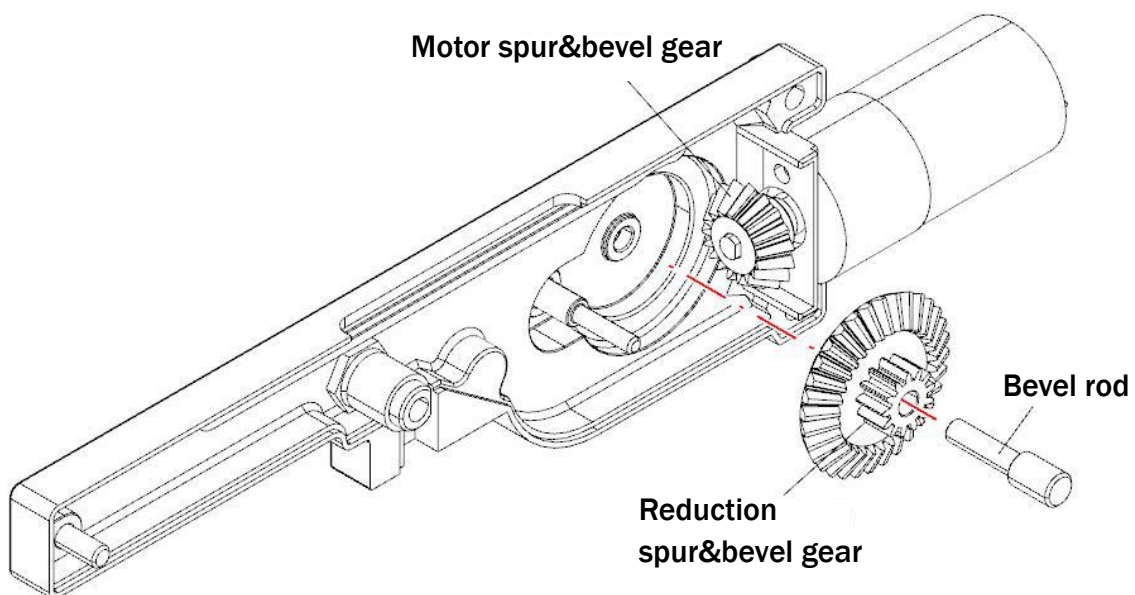


Appendix 1: Gun Installation & Replacement

Step 1 Install Spring rod, Anti-shake rubber, Spur gear rod and Motor to the Gear ABS. Utilize Screws to fix the Motor on the Gear ABS.

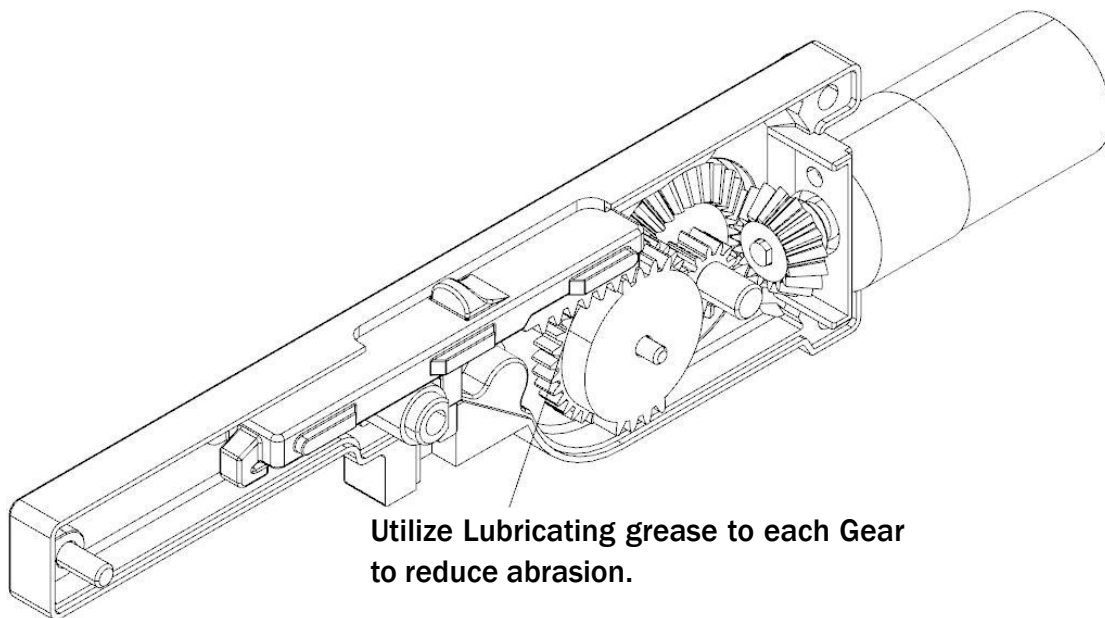
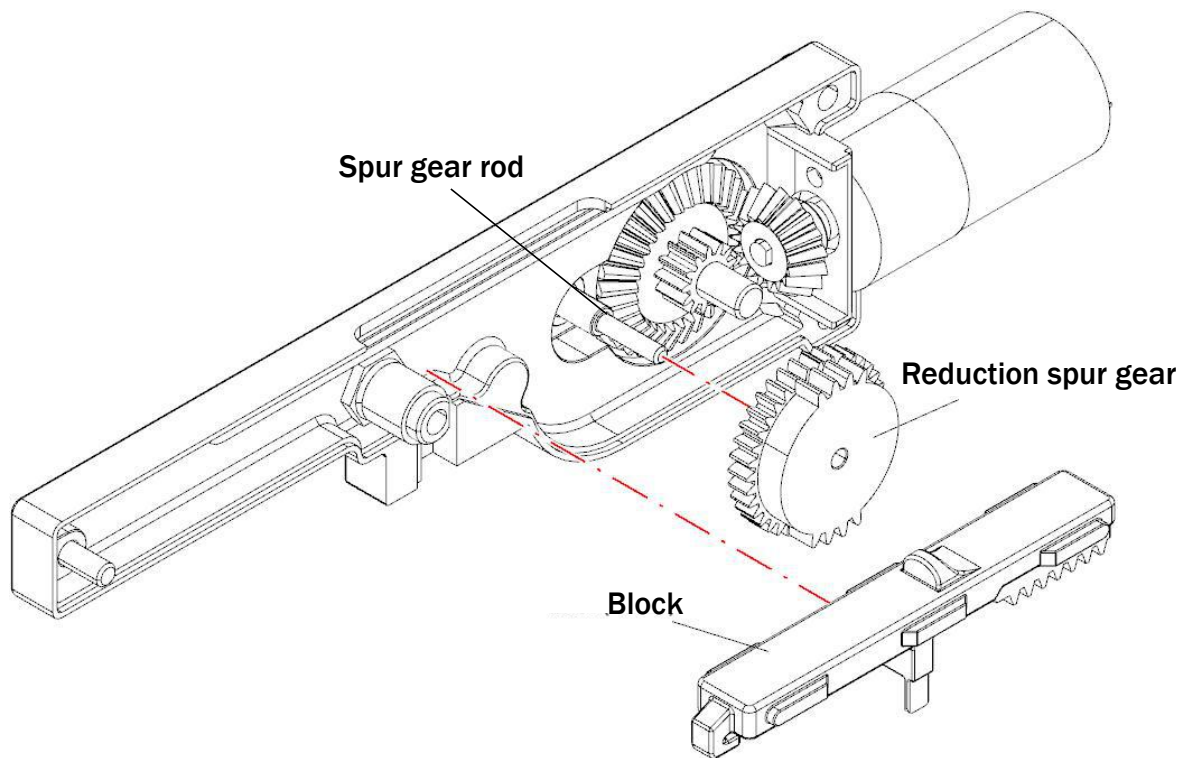


Step 2 Place and install Motor spur&bevel gear to the Motor. Install Reduction spur&bevel gear to the Gear ABS. Install Bevel rod to the Reduction spur&bevel gear.

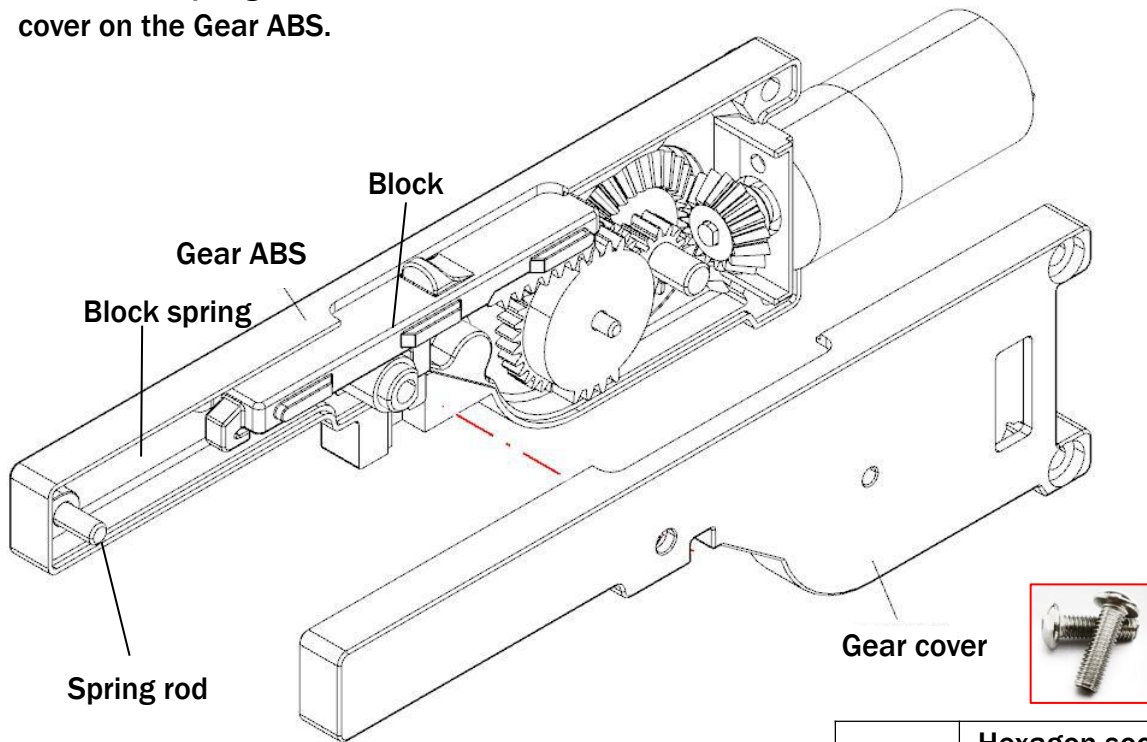


Step 3 Install Reduction spur gear to the Spur gear rod. Place and install Block to the Gear ABS.

Notice: Utilize Lubricating grease to each Gear to reduce abrasion.

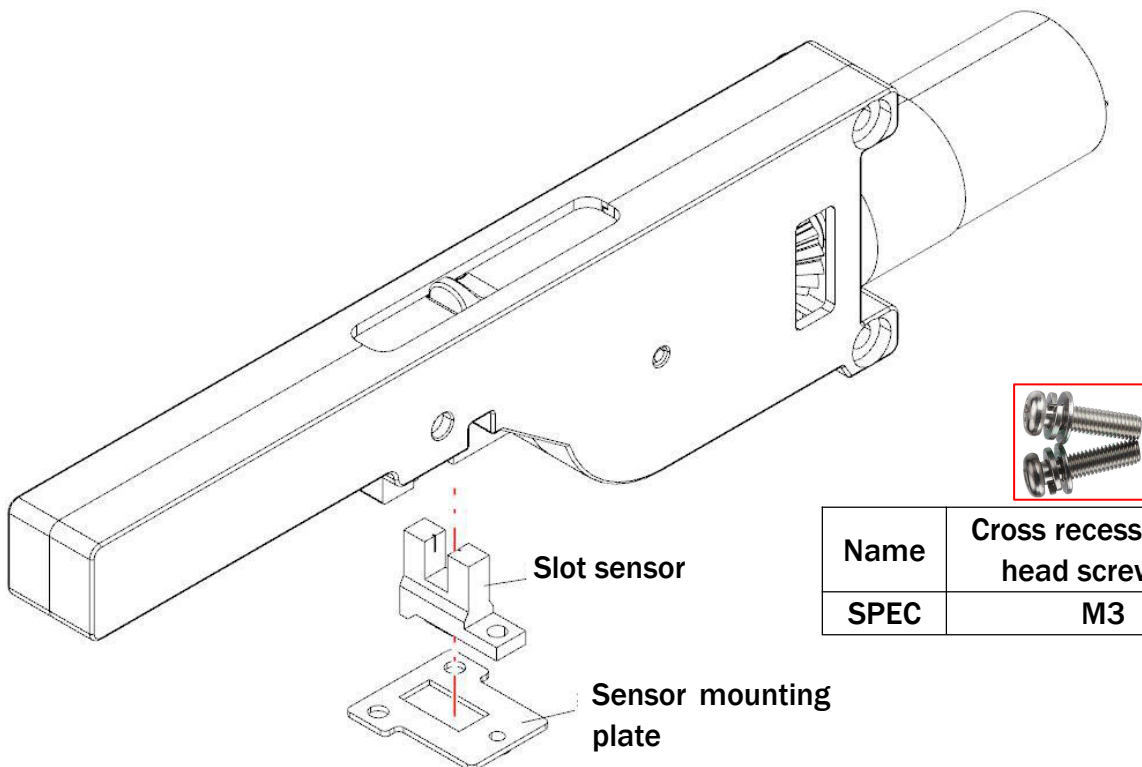


Step 4 Place Block spring to the Gear ABS as circle shown. Utilize Block spring to hook the Block and Spring rod. Install Gear cover to the Gear ABS. Utilize Screws to fix the Gear cover on the Gear ABS.



Name	Hexagon socket pan head screw
SPEC	M4

Step 5 Utilize Screws to fix the Slot sensor on Sensor mounting plate. Utilize Screws to fix the Sensor mounting plate on the Gear ABS.

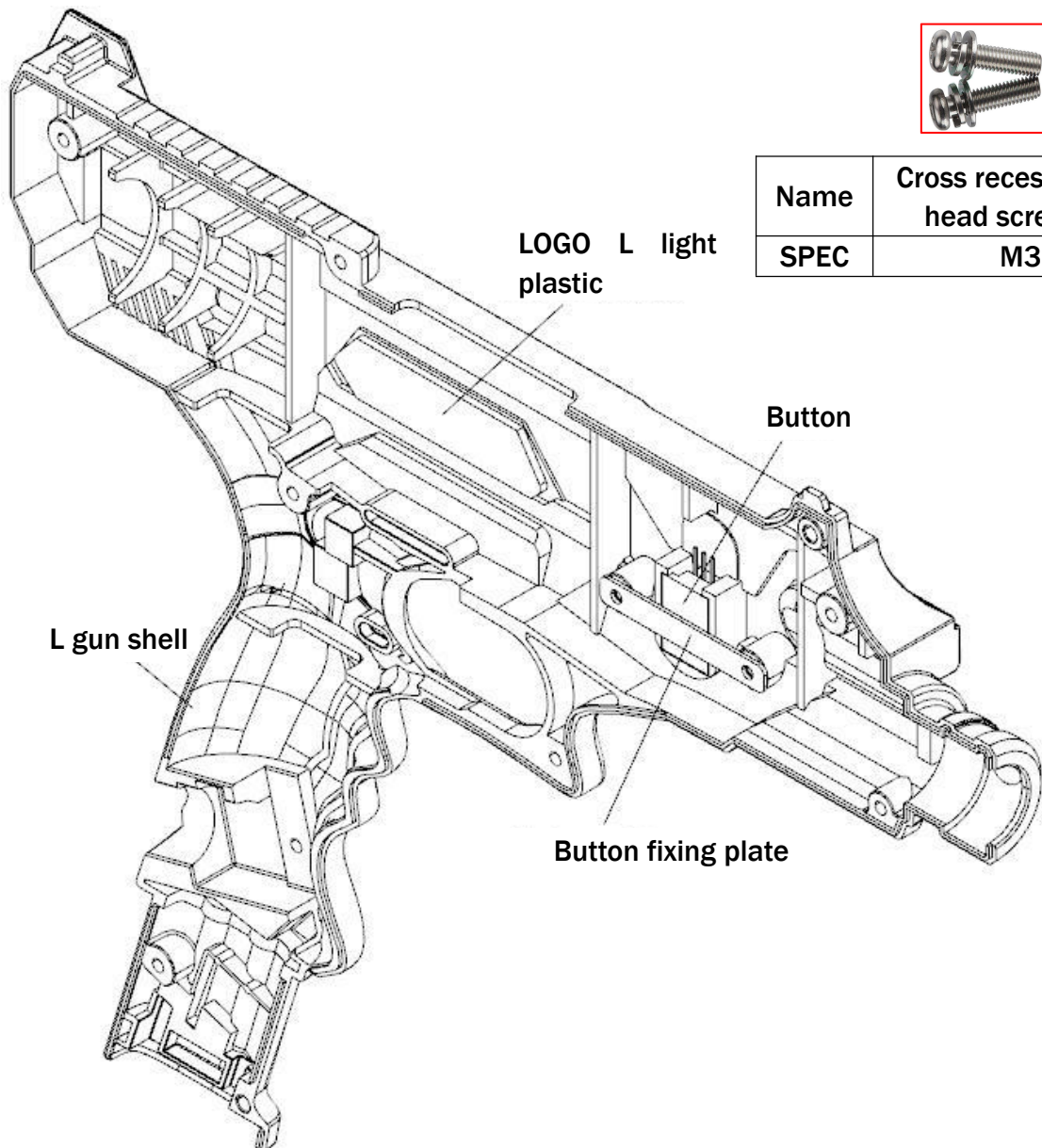


Name	Cross recessed pan head screw set
SPEC	M3

Step 6 Locate L gun shell. Place Button and Button fixing plate to the L gun shell. Utilize Screws to fix the Button fixing plate to the L gun shell.

Utilize Hot-melt adhesive to fix the LOGO L light plastic to the Gun shell as picture shown.

Notice: The Hot-melt adhesive should not higher than LOGO R light plastic to prevent the impact of subsequent installation.



Name	Cross recessed pan head screw set
SPEC	M3

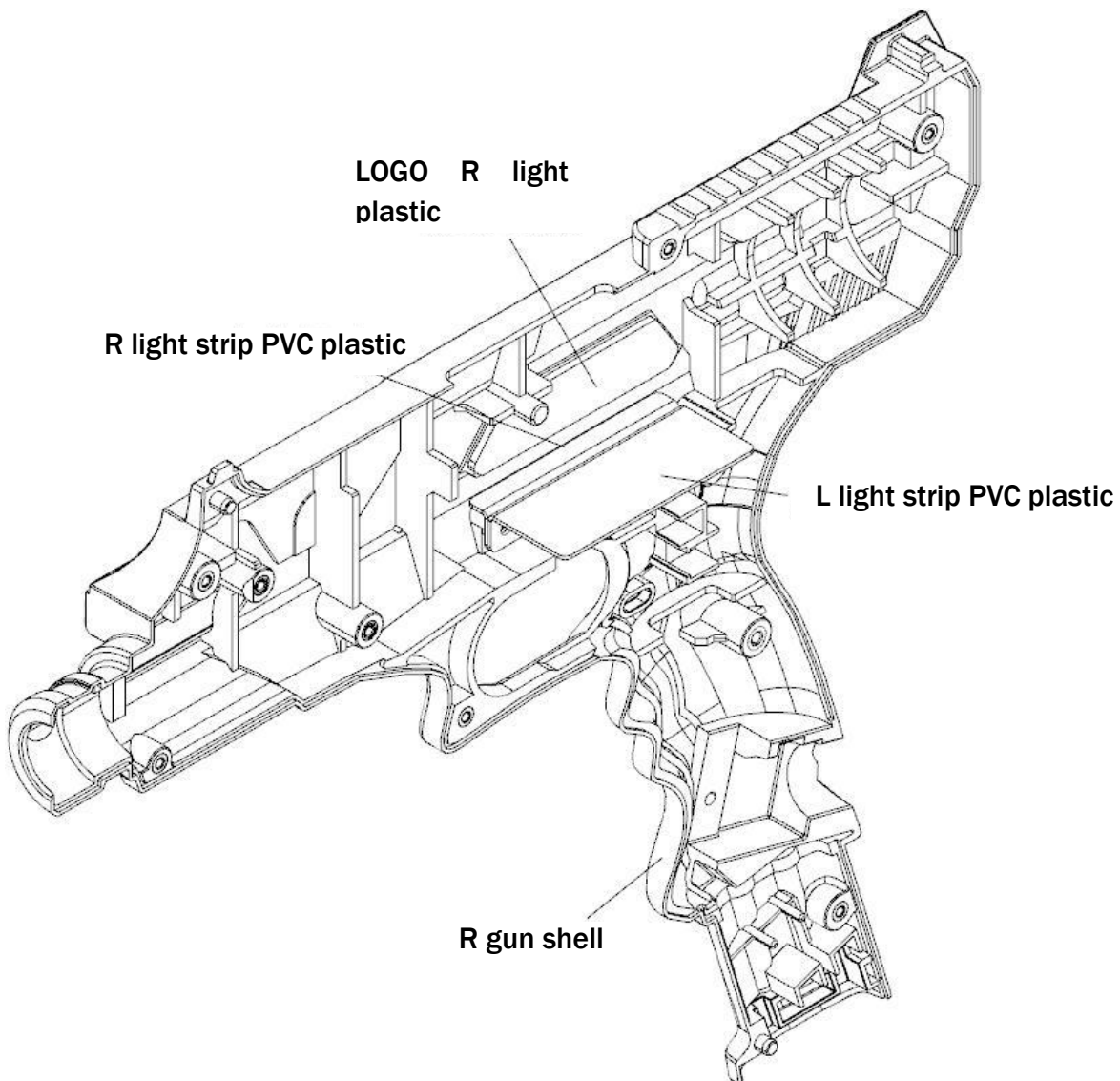
Step 7 Utilize Double side tape to stick L light strip PVC and R light strip PVC together. Utilize Screws to fix Light strip PVC to the R gun shell.

Utilize Hot-melt adhesive to fix the LOGO R light plastic to the Gun shell as picture shown.

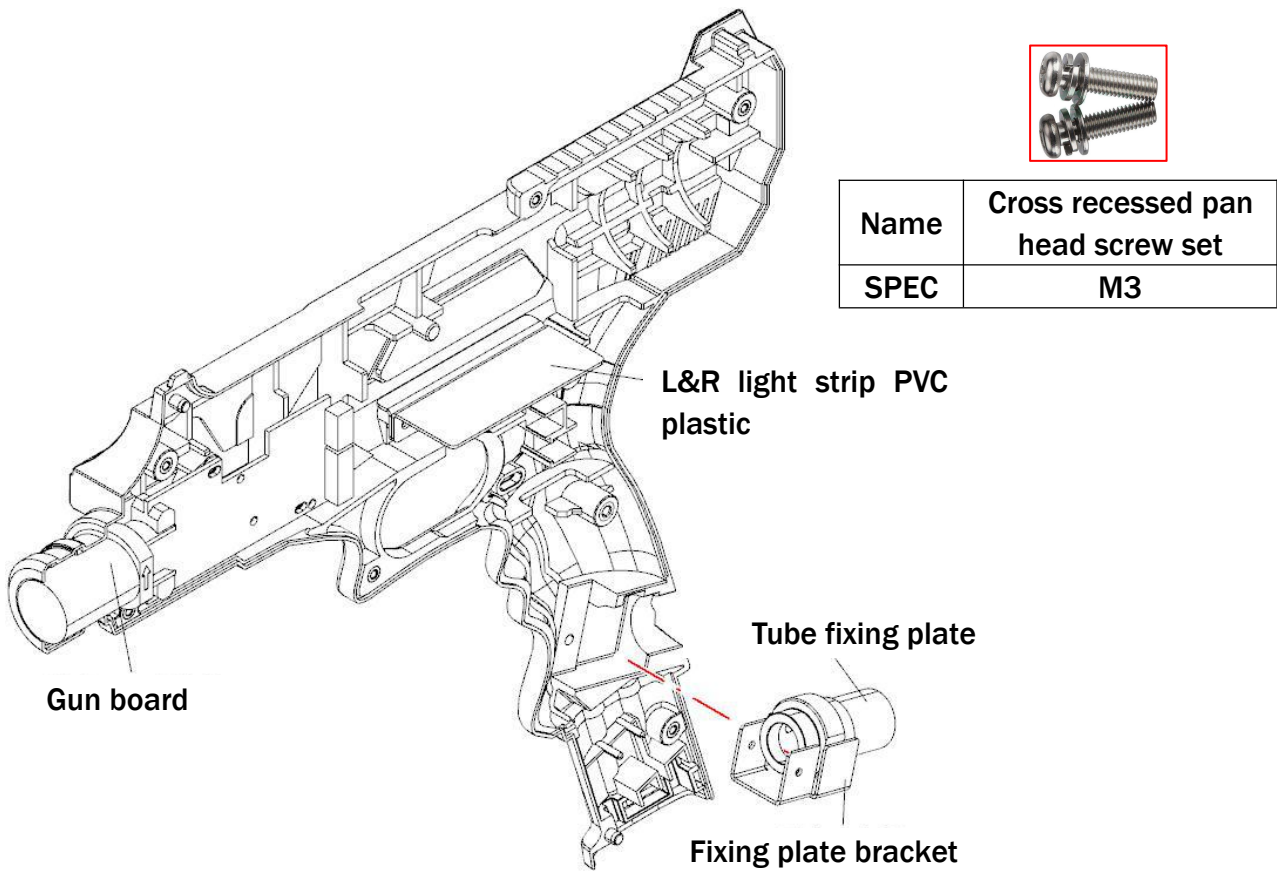
Notice: The Hot-melt adhesive should not higher than LOGO R light plastic to prevent the impact of subsequent installation.



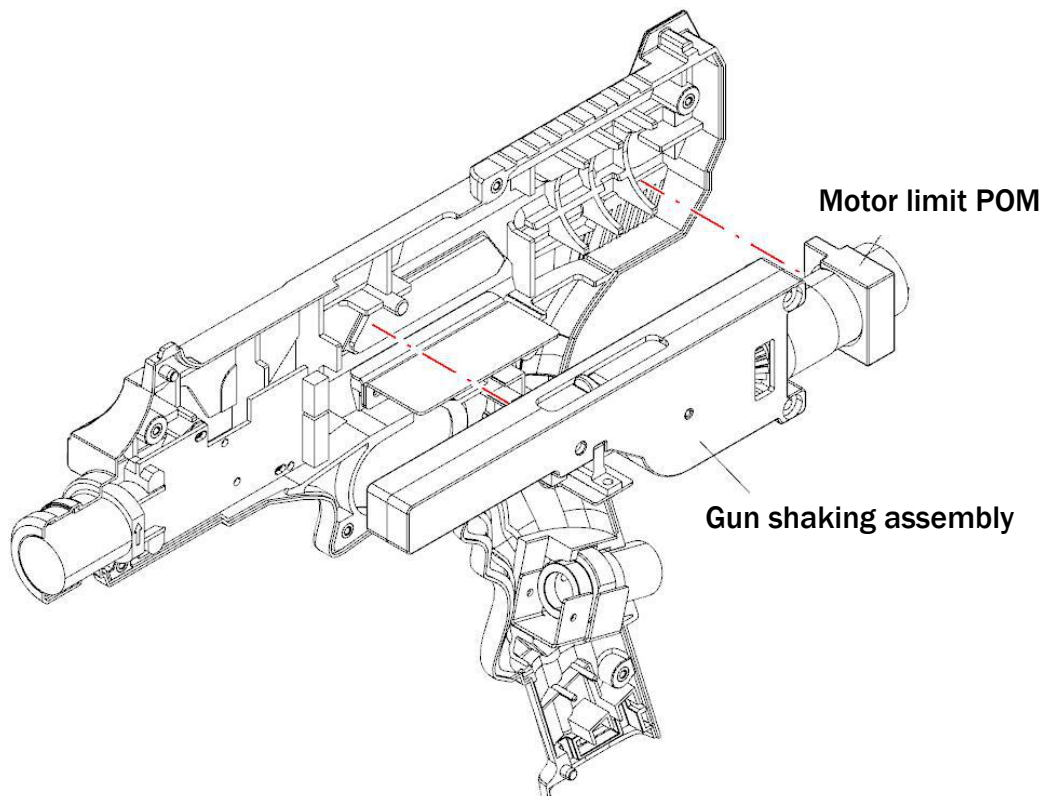
Name	Cross recessed pan head screw set
SPEC	M3



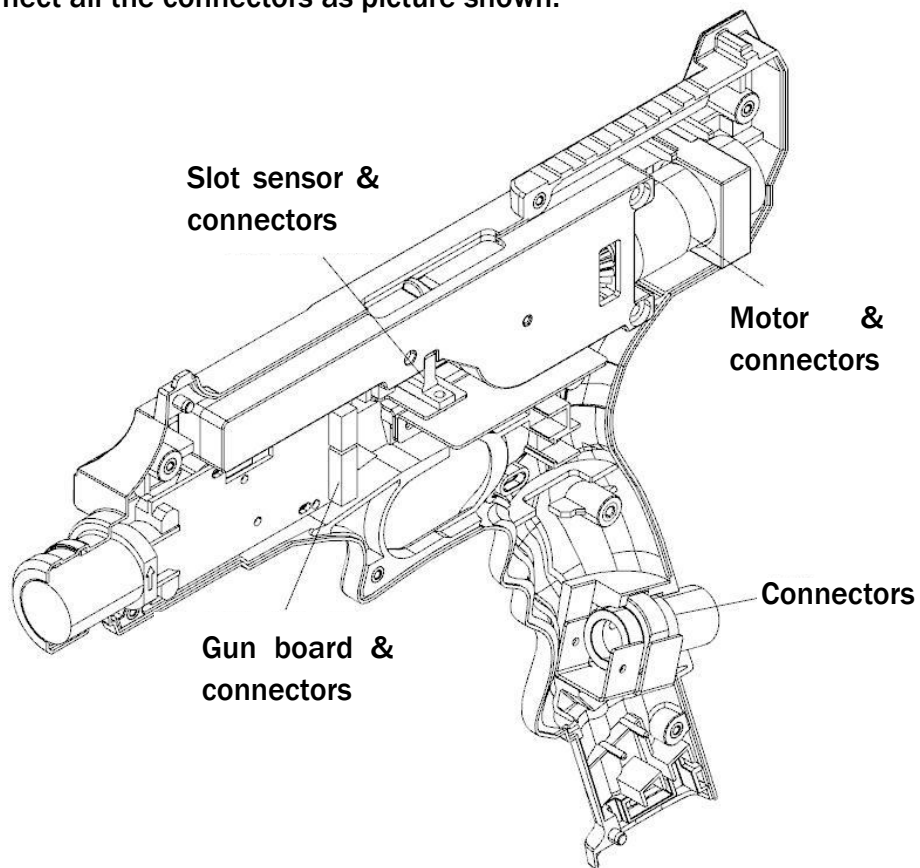
Step 8 Utilize Screws to fix the Gun board to the Gun Shell. Stick Tube fixing plate to the Fixing plate bracket. Utilize Screws to fix the Fixing plate bracket to the R gun shell. Stick BK5mm120Z light strip to the L&R light strip PVC plastic.



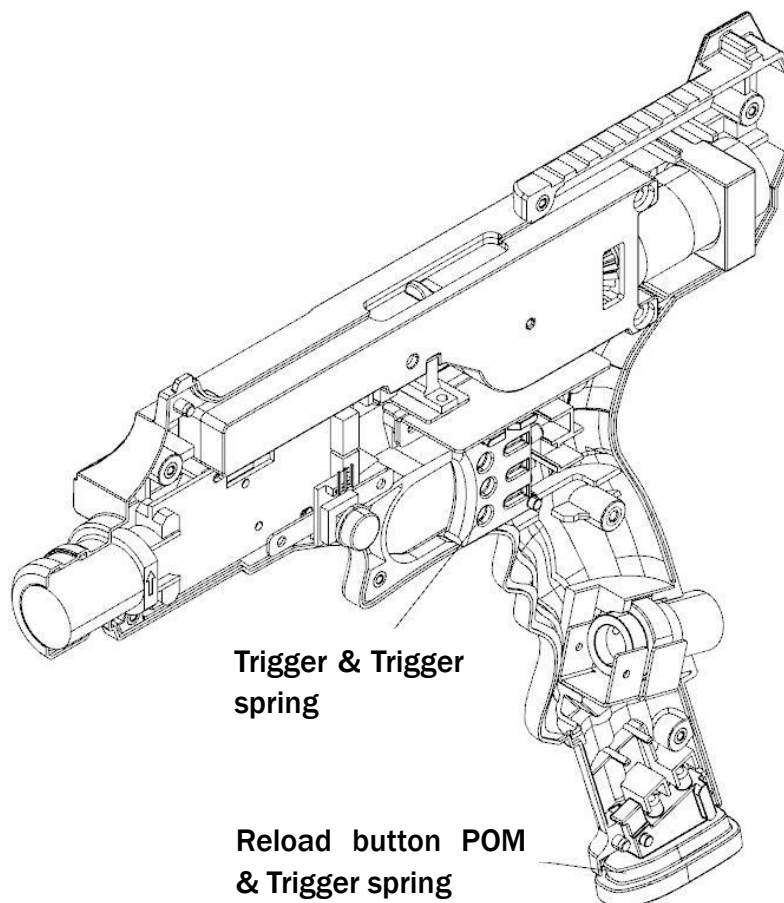
Step 9 Install Motor limit POM to the Motor. Install Gun shaking assembly to the R gun shell.



Step 10 Connect all the connectors as picture shown.

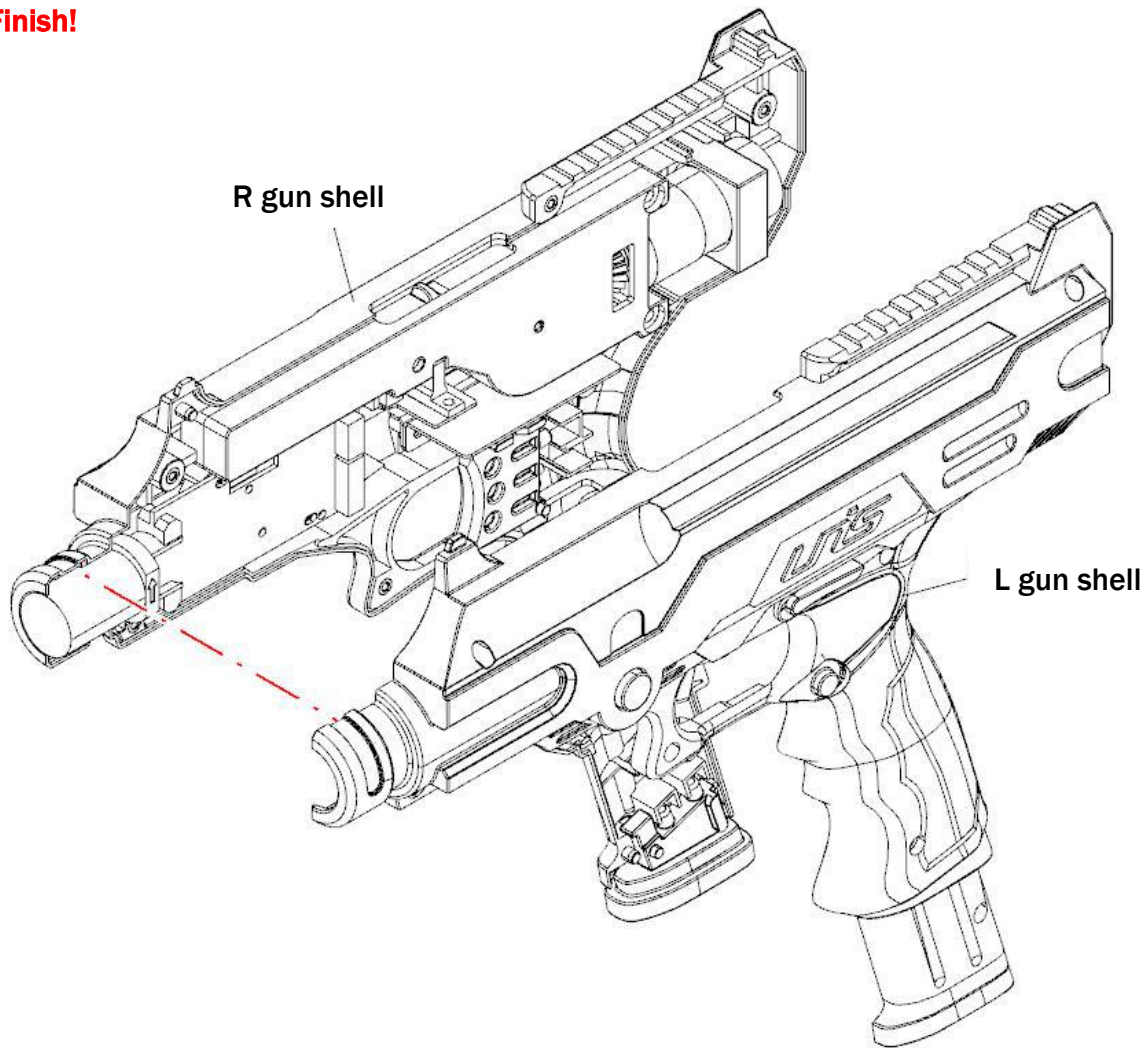


Step 11 Install Trigger and Trigger spring. Install Reload button POM and Trigger spring.



Step 12 Check all the Wiring and connectors. Ensure all the Wiring is tied correctly to prevent damage. Install L gun shell to the R gun shell. Utilize Screws to fix L gun shell to the R gun shell.

Finish!



Note: The replacement of the Gun assembly please refer to Step 1-Step 12 in reversed order.